



PARTS CATALOG

Published 2010/10 (Oct.)

0CNP4-G92900

Directions for the Parts Catalog.

- The parts stipulated in this Parts Catalog are not necessarily standard equipped parts.
- Parts may change without prior notice.
- The following is an example of the Parts Catalog format.

OCF10-G21601 29. FUEL INJECTION PUMP(W/BOOST)

REF.	LEV.	PARTS NO.	DESCRIPTION	Q'TY						I	R
				(A)	(B)	(C)	(D)	(E)	(F)		
1	1	729595-51390	FUEL INJECTION PUMP	1	1	1	1	1			1
1-1	1	729595-51391	FUEL INJECTION PUMP	1	1	1	1	1		N	1
		(A=E00185) (B=E00200)									
3	2	26022-060162	SCREW M 6X 16	9	9	9	9	9			
3-1	2	26022-060162	SCREW M 6X 16	4	4	4	4	4		K	
		(A=E00156) (B=E00156) (C=E00156) (D=E00156) (E=E00156)									
4	2	129470-51040	CAMSHAFT	1	1	1	1	1			
5	2	122710-51050	BEARING, ROLLER	2	2	2	2	2			
6	2	129470-51060	RETAINER	1	1	1	1	1			

Remarks

(1) BOOST COMPEMSATOR TYPE. OPTIONAL PART, TO E00155,(4JH-DT, 4JH-DTZ

① Ref. No.

The Ref. No. listed may not be in accordance with the illustration Ref. No.

(Ex.) Illustration No.

List Ref No.

1 1 (Before change) → 1-1 (After change)

For interchangeable symbols N, R and K, illustrations for new parts may be abbreviated.

② Lev. (Level)

Level indication

The numbers below indicate the level of relativity towards the main part.

1 ----- Main parts (Assembly parts)

2 ----- Sub component included in " 1 ".

3 ----- Sub component included in " 2 ".

Note) Parts that are not for sale are partially illustrated but not listed.

③ Interchangeability Mark

When a part change takes place, one of the following interchangeability symbols is indicated beside the part.

Symbol	Interchangeability	Contents note
N	Old $\begin{matrix} \leftarrow \text{Yes} \\ \text{No} \rightarrow \end{matrix}$ New	New Part is interchangeable for Old Part but Old Part is not interchangeable for New Part.
Q	Old $\begin{matrix} \leftarrow \text{No} \\ \text{Yes} \rightarrow \end{matrix}$ New	New Part is not interchangeable for Old Part but Old Part is interchangeable for New Part.
R	Old $\begin{matrix} \leftarrow \text{Yes} \\ \text{Yes} \rightarrow \end{matrix}$ New	New/ Old Parts are both interchangeable.
S	Old $\begin{matrix} \leftarrow \text{No} \\ \text{No} \rightarrow \end{matrix}$ New	New/ Old Parts are both not interchangeable.
W		Part newly added.
Z		Part discontinued.
F		Not interchangeable by a single part but interchangeable together with related parts.
K		Changes only for used parts quantities.

④ Effective Machine No.

When a part changes, the effective Machine No. will be indicated in the (A)-(F) column.

Product Symbol	Product No.	Product Symbol	Product No.
C	Clutch No. Compressor No.	F	Machine No. (Agricultural Equip.)
D	Drive No.	M	Machine No.
E	Engine No.		

Note 1) A date may follow the symbol. (Ex.) 1996.01

Note 2) "XXXXX" and "ZZZZZ" are for parts that could not be predicted or for engine models that could not be identified.

Note 3) (A=E00185) is the E (Engine Serial Number) for the column (A) model (in this case 4JH-DT) after the parts design change.

⑤ Remarks Mark

Figures or alphabets (symbols) are entered in the remarks column.

The comments (remarks) on parts that are indicated at the bottom of the illustration are the same symbols as those stated above.

DEPLOYMENT ENGINE MODEL TABLE

SNOWPLOW			ENGINE	
MODEL	PARTS CATALOG No.	UNIT NO.	MODEL	PARTS CATALOG No.
YSR765C (-S)	0CNP4-G92900	~ F010362	GA210E-S(E)J2	0CNP4-G93000
		F010363 ~	GA210E-AS(E)J2	0CNP5-G23000

CONTENTS

MODEL : YSR765C
PC NO : 0CNP4-G92900

Fig.No.	GROUP NAME
ENGINE RELATED SECTION	
1.	ENGINE RELATION
2.	ENGINE BASE
3.	ENGINE CONTROL
DRIVE TRAVEL SECTION	
4.	TENSION CLUTCH
5.	ENGINE PULLEY
6.	TRAVEL BELT
7.	AUGER BELT
8.	TRAVEL TRANSMISSION
9.	REDUCTION GEAR
10.	AXLE
CONTROL SECTION	
11.	HANDLE
12.	CONTROL PANEL
13.	DEAD MAN LEVER
14.	CLUTCH
15.	CLUTCH LOCK
16.	CHANGE LEVER
17.	CHANGE FULCRUM
18.	CHANGE ROD
19.	CHUTE LEVER
20.	CHUTE HANDLE
21.	LIFTING
CHASSIS COVER & CRAWLER SECTION	
22.	CHASSIS FRAME
23.	BELT COVER

Fig.No.	GROUP NAME
24.	GEAR COVER
25.	CRAWLER
26.	CRAWLER FRAME
27.	CRAWLER GUIDE
ELECTRICAL PARTS SECTION	
28.	BATTERY
29.	HARNESS
30.	HARNESS
31.	SWITCH
32.	LAMP
SNOW REMOVING SECTION	
33.	AUGER FRAME
34.	AUGER PLATE
35.	AUGER COVER
36.	AUGER BOTTOM
37.	CHUTE
38.	DEFLECTOR
39.	CHANGE ROTATION
40.	GEAR CASE
41.	BLOWER SHAFT
42.	AUGER SHAFT
43.	AUGER
44.	BLOWER
LABELS & ACCESSORIES SECTION	
45.	LABEL
46.	LABEL (SAFETY)
47.	TOOLS

CONTENTS

MODEL : YSR765C
PC NO : 0CNP4-G92900

Fig.No. GROUP NAME
48. ACCESSORY

Fig.No. GROUP NAME

Fig.1. ENGINE RELATION

(A)=YSR765C
(B)=YSR765C-S
(C)=

(D)=
(E)=
(F)=

REF.	LEV.	PARTS NO.	DESCRIPTION	Q'TY						I	R
				(A)	(B)	(C)	(D)	(E)	(F)		
1	1	1N3870-00050	COVER, AUX	1	1						
2	1	1N1713-00080-1	COVER A COMP.,AUX.	1	1						
3	1	1N3870-00100	COVER,BRACKET	1	1						
4	1	1N3850-00150	GROMMET, 9	1	1						
5	1	1N1713-00170	MOLDINGS 55	1	1						
6	1	1N3021-00250	JOINT,WASTE OIL	1	1						
7	1	1S9050-01430	EDGE RUBBER 50	1	1						
8	1	1J3999-02010	WASHER 6	2	2						
9	1	1N1710-32600	CLAMP 8X70	1	1						
10	1	22190-120000	SEAL WASHER 12(BOLT)	1	1						
11	1	22217-060000	SPRING WASHER 6	2	2						
12	1	26016-060204	BOLT M 6X 20	2	2						
13	1	26018-060124	BOLT M 6X 12	2	2						
14	1	26116-060502	BOLT M 6X 50 PLATED	1	1						
15	1	26116-060552	BOLT M 6X 55 PLATED	1	1						
16	1	26717-060002	NUT M 6	2	2						W

(A)=FROM 1ST) (B)=FROM 1ST)

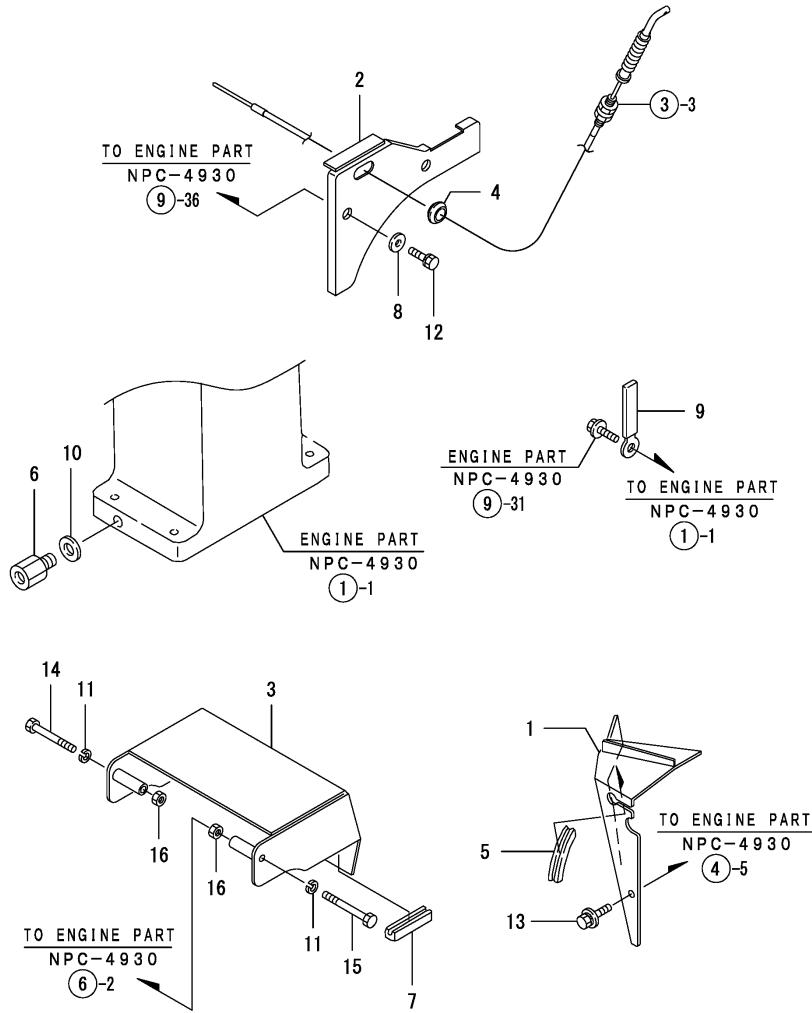
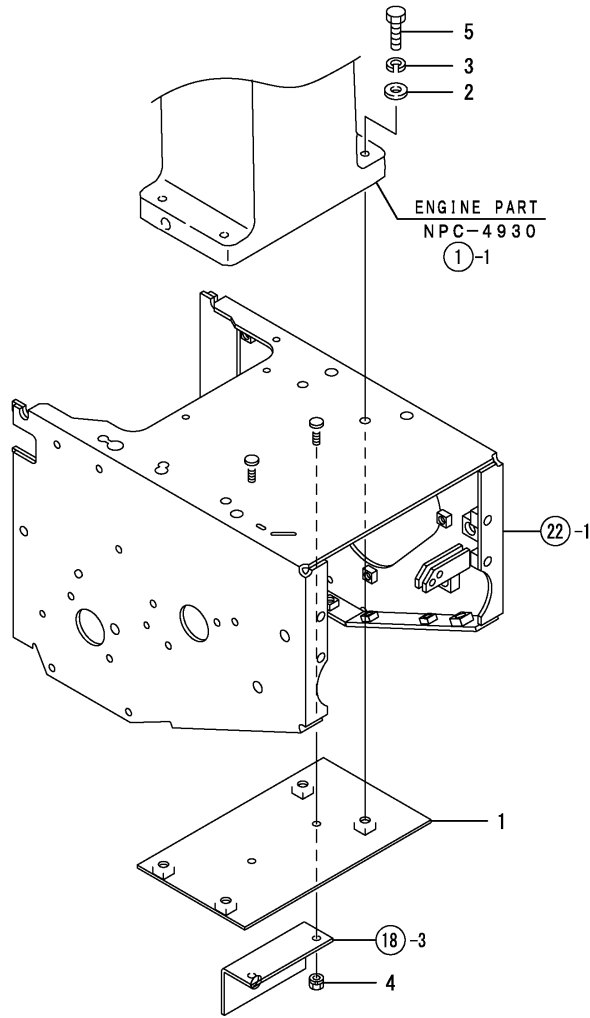


Fig.2. ENGINE BASE

(A)=YSR765C
(B)=YSR765C-S
(C)=

(D)=
(E)=
(F)=



REF.	LEV.	PARTS NO.	DESCRIPTION	Q'TY						I	R
				(A)	(B)	(C)	(D)	(E)	(F)		
1	1	1N3870-01000	SUPPORT, ENGINE	1	1						
2	1	22137-080000	WASHER 8, POLISHED	4	4						
3	1	22217-080000	WASHER, 8	4	4						
4	1	26051-060002	NUT M 6	2	2						
5	1	26116-080352	BOLT M 8X 35	4	4						

Fig.3. ENGINE CONTROL

(A)=YSR765C
 (B)=YSR765C-S
 (C)=

(D)=
 (E)=
 (F)=

REF.	LEV.	PARTS NO.	DESCRIPTION	QTY						I	R
				(A)	(B)	(C)	(D)	(E)	(F)		
1	1	198273-01230	KNOB;ACCEL LEVER	1	1						
2	1	1N3850-02100	LEVER, ACCEL	1	1						
3	1	1N3910-02150	WIRE ASSY, ACCEL	1	1						
4	1	1N3850-02200	STOPPER, LEVER	1	1						
5	1	1N3910-02250	WIRE, CHOKE	1	1						
6	1	195385-35870	SPRING	2	2						
7	1	22137-060000	WASHER 6, POLISHED	1	1						
8	1	22137-060000	WASHER 6, POLISHED	1	1						
9	1	22137-100000	WASHER 10,POLISHED	2	2						
10	1	22417-200100	COTTER PIN 2.0X10	1	1						
11	1	26051-060002	NUT M 6	1	1						
12	1	26717-100002	NUT M10	2	2						

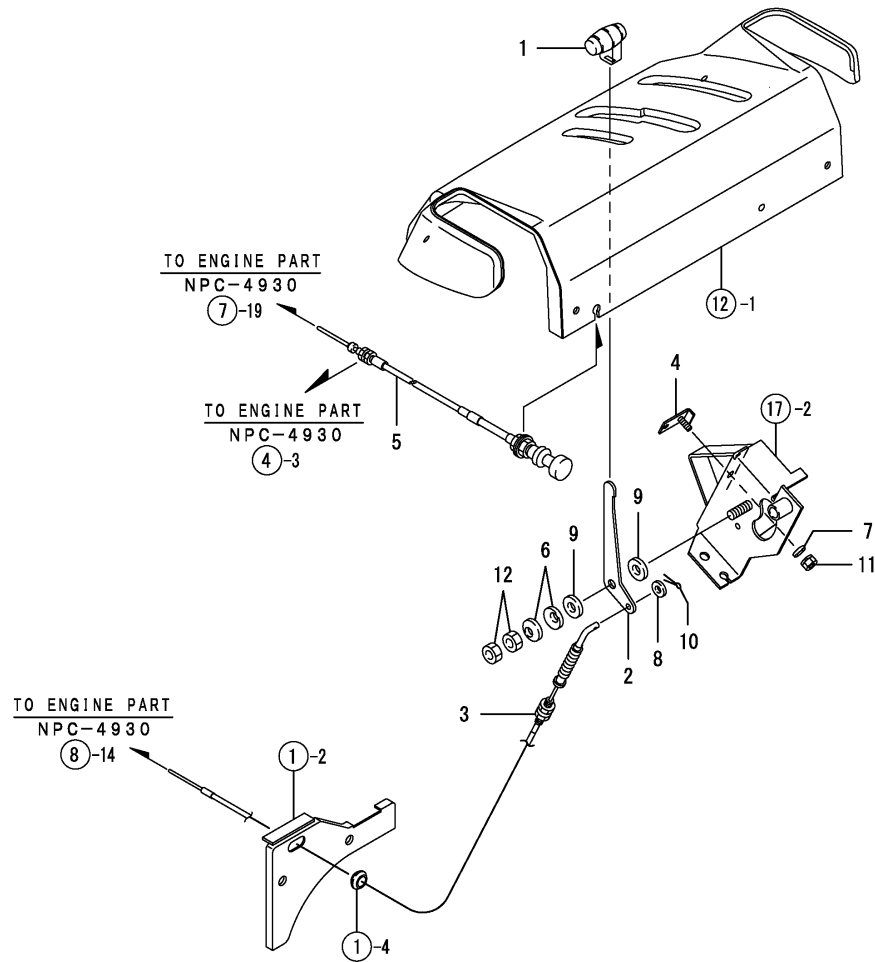
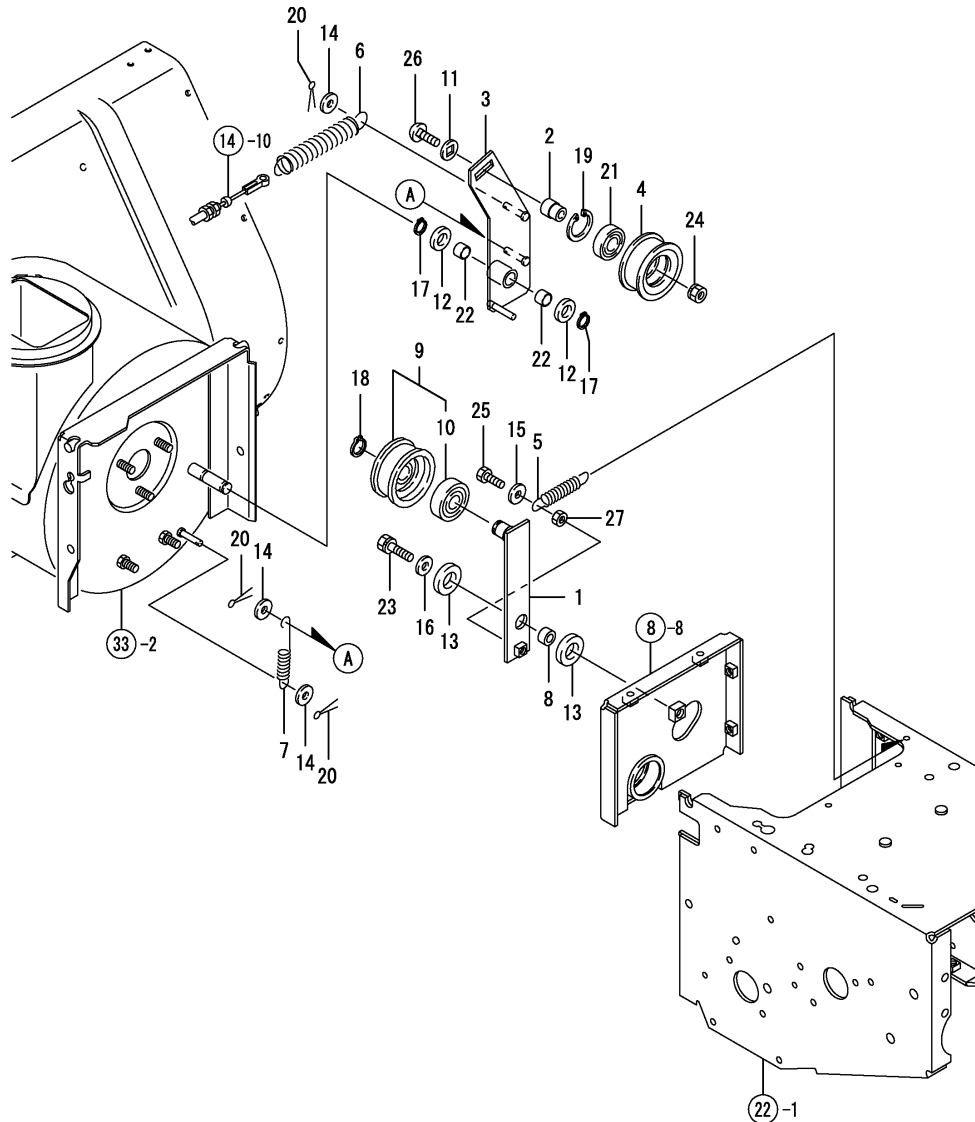


Fig.4. TENSION CLUTCH



OCNP4-G92900 4. TENSION CLUTCH

(A)=YSR765C
(B)=YSR765C-S
(C)=

(D)=
(E)=
(F)=

REF.	LEV.	PARTS NO.	DESCRIPTION	QTY						I	R
				(A)	(B)	(C)	(D)	(E)	(F)		
1	1	1N3850-11000	TENSION, TRAVEL	1	1						
2	1	1N3370-11050	SHAFT	1	1						
3	1	1N3850-11100	TENSION, WORK	1	1						
4	1	1N3021-11240-1	PULLEY, 63 TENSION	1	1						
5	1	1N3850-11250	SPRING, 13X80	1	1						
6	1	1N3370-11271	SPRING, 16X134	1	1						
7	1	1N3850-11270	SPRING, 15X75	1	1						
8	1	1N3850-11300	COLLAR, 9X16X9.2	1	1						
9	1	1E7030-51302-1	ROLLER ASSY, TENSION	1	1						
10	2	24104-063020	BALL BEARING	1	1						
11	1	1N3320-71290	WASHER	1	1						
12	1	22137-120000	WASHER 12,POLISHED	2	2						
13	1	22137-160000	WASHER 16,POLISHED	2	2						
14	1	22157-060000	WASHER 6	3	3						
15	1	22157-060000	WASHER 6	1	1						
16	1	22157-080000	WASHER 8	1	1						
17	1	22242-000120	CIRCLIP 12	2	2						
18	1	22242-000150	CIRCLIP 15	1	1						
19	1	22252-000350	CIRCLIP 35	1	1						
20	1	22417-160100	COTTER PIN	3	3						
21	1	24107-062024	BALL BEARING	1	1						
22	1	24550-012100	BUSH 12X10	2	2						
23	1	26016-080252	BOLT M 8X 25	1	1						
24	1	26051-080002	NUT M 8	1	1						
25	1	26116-060252	BOLT 6X25	1	1						
26	1	26487-080352	BOLT 8*35	1	1						
27	1	26717-060002	NUT M 6	1	1						

Fig.5. ENGINE PULLEY

0CNP4-G92900 5. ENGINE PULLEY

(A)=YSR765C
 (B)=YSR765C-S
 (C)=

(D)=
 (E)=
 (F)=

REF.	LEV.	PARTS NO.	DESCRIPTION	Q'TY						I	R
				(A)	(B)	(C)	(D)	(E)	(F)		
1	1	1N3910-12000	PULLEY, ENGINE	1	1						
2	1	1N3870-12100	RETAINER, BELT A	1	1						
3	1	1N3850-12150	RETAINER, BELT B	1	1						
4	1	26018-080202	BOLT M 8X 20	3	3						

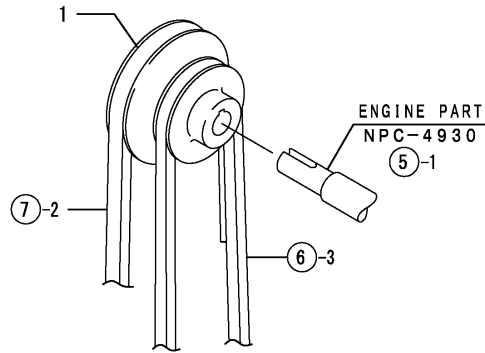
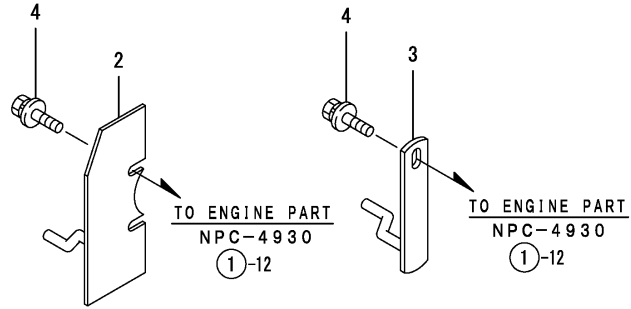


Fig.6. TRAVEL BELT

0CNP4-G92900 6. TRAVEL BELT

(A)=YSR765C
(B)=YSR765C-S
(C)=

(D)=
(E)=
(F)=

REF.	LEV.	PARTS NO.	DESCRIPTION	Q'TY						I	R
				(A)	(B)	(C)	(D)	(E)	(F)		
1	1	1N3840-12050	PULLEY, 90A	1	1						
2	1	22242-000250	CIRCLIP 25S	1	1						
3	1	25122-002701	V-BELT	1	1						

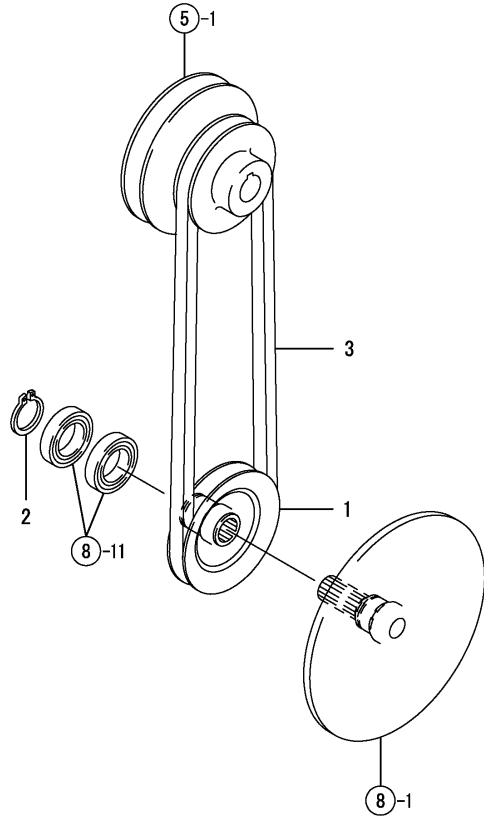


Fig.7. AUGER BELT

(A)=YSR765C
(B)=YSR765C-S
(C)=

(D)=
(E)=
(F)=

REF.	LEV.	PARTS NO.	DESCRIPTION	Q'TY						I	R
				(A)	(B)	(C)	(D)	(E)	(F)		
1	1	1N3870-12010	PULLEY,	1	1						
2	1	1N3870-12050	BELT, LB30-AG6	1	1						
3	1	1N3850-12200	GUIDE, BELT	1	1						
4	1	22137-080000	WASHER 8, POLISHED	4	4						
5	1	22157-080000	WASHER 8	1	1						
6	1	22217-080000	WASHER, 8	1	1						
7	1	22550-050300	KEY 5X30	1	1						
8	1	26051-080002	NUT M 8	2	2						
9	1	26116-080252	BOLT M 8X 25 PLATED	1	1						

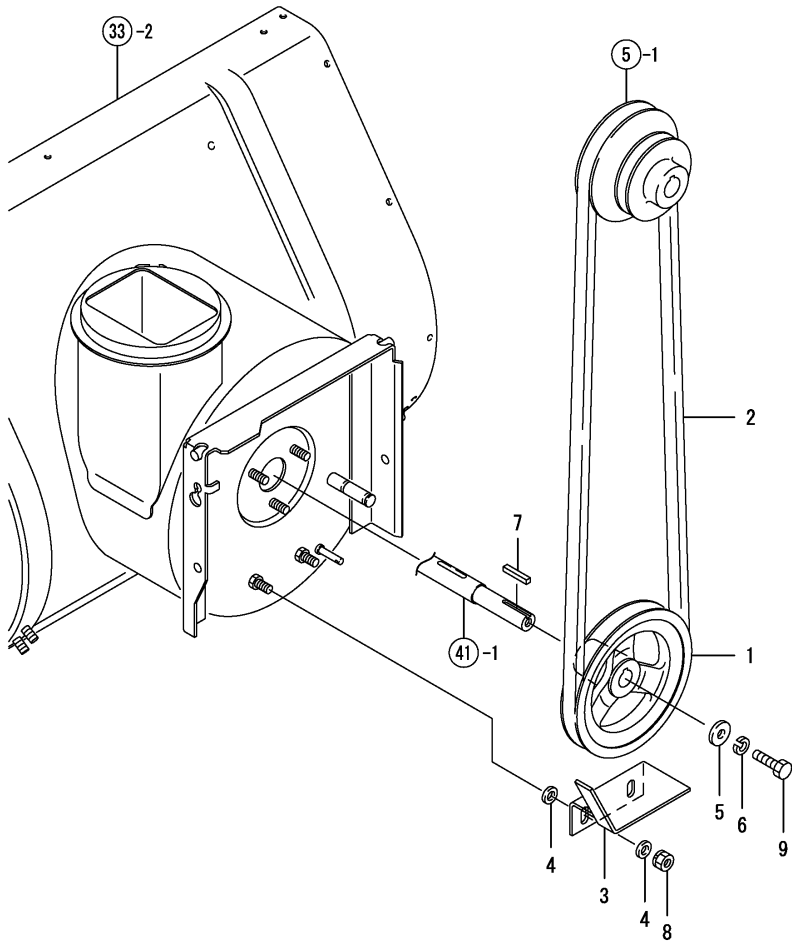
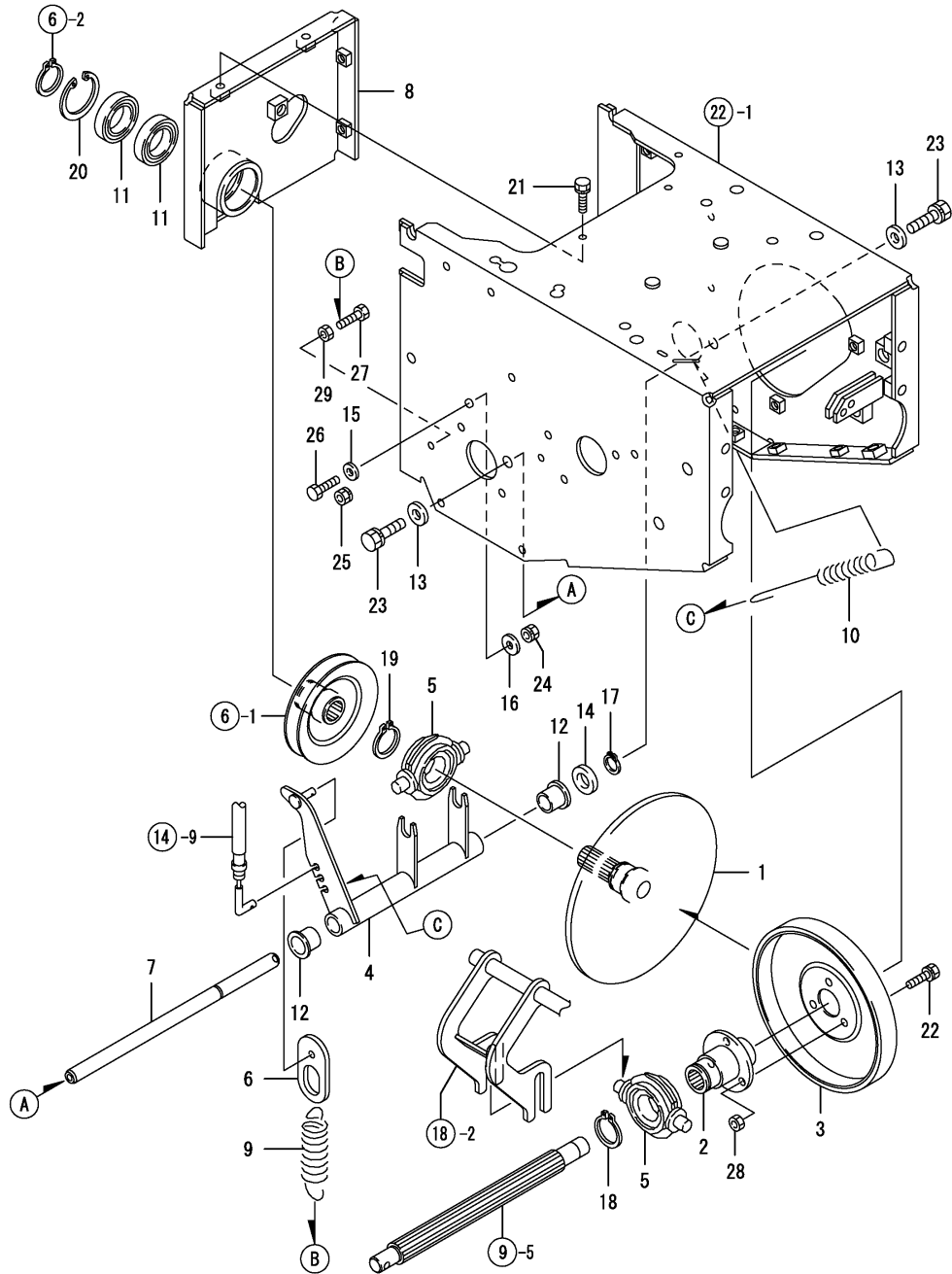


Fig.8. TRAVEL TRANSMISSION

(A)=YSR765C
(B)=YSR765C-S
(C)=

(D)=
(E)=
(F)=

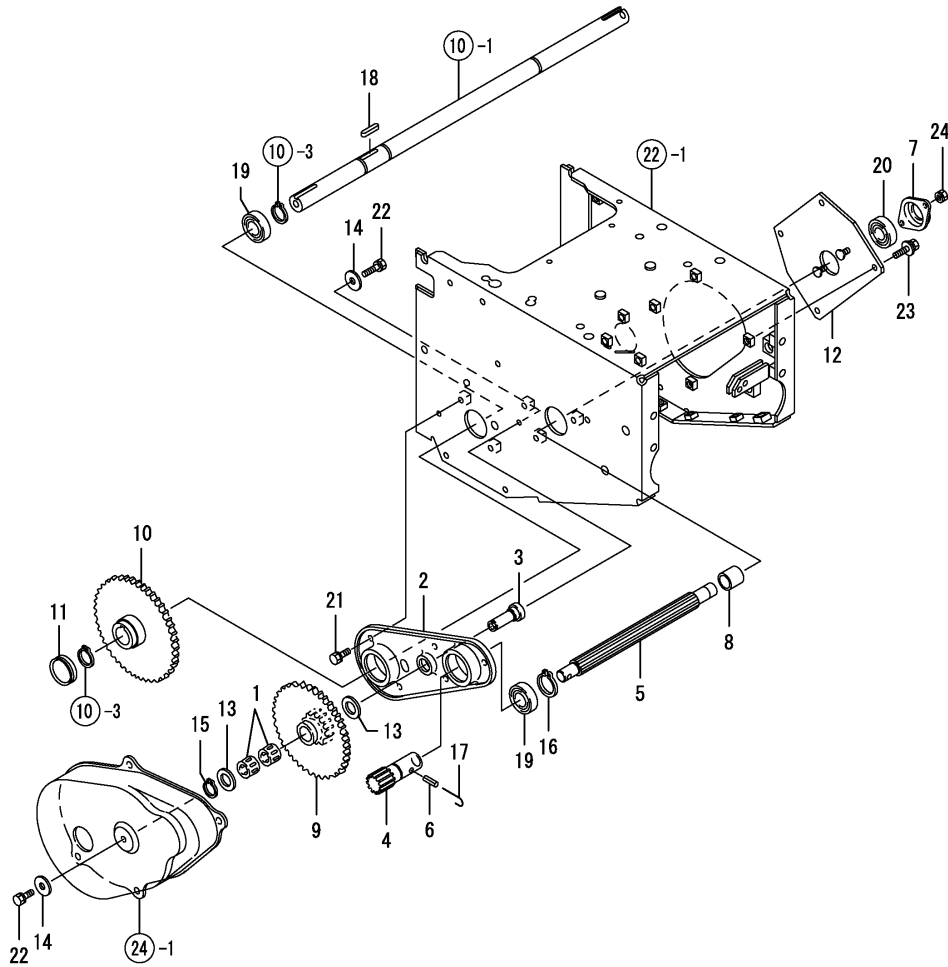


REF.	LEV.	PARTS NO.	DESCRIPTION	QTY						I	R
				(A)	(B)	(C)	(D)	(E)	(F)		
1	1	1N3840-21000	PLATE, CHANGE	1	1						
2	1	1N3840-21100	SEAT, MOUNTING	1	1						
3	1	1N1570-21200	PLATE, FRICTION	1	1						
4	1	1N3840-21200	BEARING, PLATE	1	1						
5	1	1N1570-21300	SLIDER, CLUTCH	2	2						
6	1	1N3330-21300	PLATE, CLUTCH	1	1						
7	1	1N3400-21300	SHAFT, PLATE FULCRUM	1	1						
8	1	1N3850-21300	REST, BEARING PLATE	1	1						
9	1	1N3330-21400	SPRING, 23X89	1	1						
10	1	1N3840-21410	SPRING, 13X200	1	1						
11	1	1N3840-21450	BEARING, 6905	2	2						
12	1	1S6000-61220	BUSH, COLLAR	2	2						
13	1	22117-080000	WASHER 8	2	2						
14	1	22117-120000	WASHER 12	1	1						
15	1	22137-060000	WASHER 6, POLISHED	1	1						
16	1	22157-060000	WASHER 6	1	1						
17	1	22242-000120	CIRCLIP 12	1	1						
18	1	22242-000250	CIRCLIP 25S	1	1						
19	1	22242-000250	CIRCLIP 25S	1	1						
20	1	22252-000420	CIRCLIP 42	1	1						
21	1	26016-060124	BOLT 6X12 W/L.W.	4	4						
22	1	26016-060164	BOLT 6X16 W/L.W.	3	3						
23	1	26016-080164	BOLT M 8X 16	2	2						
24	1	26051-060002	NUT M 6	1	1						
25	1	26051-060002	NUT M 6	1	1						
26	1	26116-060254	BOLT M 6X 25 PLATED	1	1						
27	1	26116-060304	BOLT M 6X 30 PLATED	1	1						
28	1	26717-060002	NUT M 6	3	3						
29	1	26717-060002	NUT M 6	1	1						

Fig.9. REDUCTION GEAR

(A)=YSR765C
(B)=YSR765C-S
(C)=

(D)=
(E)=
(F)=



REF.	LEV.	PARTS NO.	DESCRIPTION	QTY						I	R
				(A)	(B)	(C)	(D)	(E)	(F)		
1	1	1N1570-21600	BEARING	2	2						
2	1	1N3390-23000	BEARING, GEAR	1	1						
3	1	1N3300-23050	SHAFT,COUNTER	1	1						
4	1	1N3840-23100	GEAR, PINION	1	1						
5	1	1N3850-23110	SHAFT, SLIDE	1	1						
6	1	1N3300-23120	PIN, SPRING 6AX18	1	1						
7	1	1F1150-23140	JOINT	1	1						
8	1	1N3400-23180	COLLAR,16X21X20	1	1						
9	1	1N3310-23200	GEAR,COUNTER	1	1						
10	1	1N3390-23300	GEAR, AXLE 84	1	1						
11	1	1N3390-23400	SEAL, GREASE 28A	1	1						
12	1	1N3840-23400	SUPPORT, SHAFT	1	1						
13	1	22117-120000	WASHER 12	2	2						
14	1	22157-060000	WASHER 6	2	2						
15	1	22242-000120	CIRCLIP 12	1	1						
16	1	22242-000200	CIRCLIP 20	1	1						
17	1	22451-160000	WIRE, 1.6	1	1						
18	1	22512-050260	KEY 5* 26	1	1						
19	1	24104-060044	BALL BEARING	2	2						
20	1	24104-062024	BALL BEARING	1	1						
21	1	26016-060122	BOLT M 6X 12	5	5						
22	1	26016-060162	BOLT M 6X 16	2	2						
23	1	26018-060124	BOLT M 6X 12	4	4						
24	1	26051-060002	NUT M 6	2	2						

Fig.10. AXLE

(A)=YSR765C
(B)=YSR765C-S
(C)=

(D)=
(E)=
(F)=

REF.	LEV.	PARTS NO.	DESCRIPTION	Q'TY						I	R
				(A)	(B)	(C)	(D)	(E)	(F)		
1	1	1N3400-25000-1	AXLE	1	1						
2	1	1N3300-25100	JOINT 6004	1	1						
3	1	22242-000200	CIRCLIP 20	3	3						
4	1	24104-060044	BALL BEARING	1	1						
5	1	26016-060122	BOLT M 6X 12	3	3						

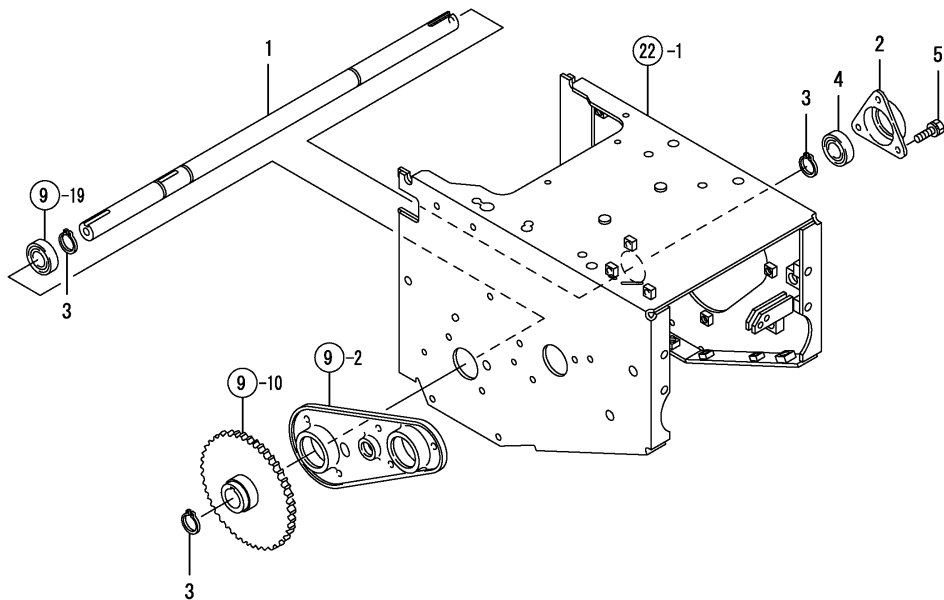
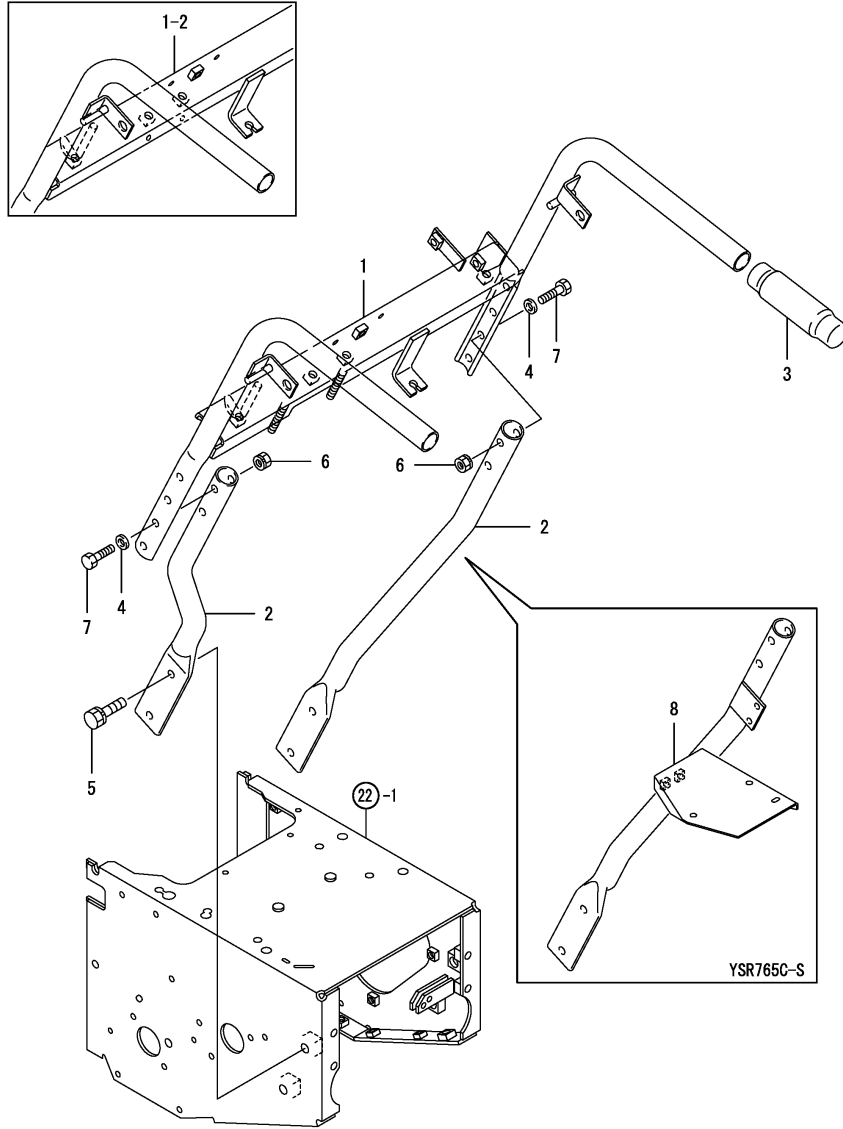


Fig.11. HANDLE

(A)=YSR765C
(B)=YSR765C-S
(C)=

(D)=
(E)=
(F)=



REF.	LEV.	PARTS NO.	DESCRIPTION	QTY						I	R
				(A)	(B)	(C)	(D)	(E)	(F)		
1	1	1N3850-30000	FRAME, HANDLE	1	1						
1-1	1	1N3850-30001	FRAME, HANDLE	1	1						N
		(A=F010241) (B=F010241)									
1-2	1	1N3850-30002	FRAME, HANDLE	1	1						S 1
		(A=F010363) (B=F010363)									
2	1	1N3850-30100	PIPE, HANDLE	2	2						
3	1	1N1710-82140	GRIP BK-8,HANDLE	2	2						
4	1	22137-080000	WASHER 8, POLISHED	4	4						
5	1	26016-100202	BOLT	4	4						
6	1	26051-080002	NUT M 8	4	4						
7	1	26117-080402	BOLT M 8X 40	4	4						
8	1	1N3850-30150	FRAME, R		1						

Remarks

(1)INTERCHANGEABLE BY SIMULTANEOUS REPLACEMENT WITH FIG.15 REF.NO.1-1.

N:Old $\xrightarrow{\text{Yes}}$ New, Q:Old $\xrightarrow{\text{No}}$ New, R:Old $\xrightarrow{\text{Yes}}$ New, S:Old $\xrightarrow{\text{No}}$ New, W:Add, Z:Discontinued, F:Interchangeable by set, K:Q'ty Change

Fig.12. CONTROL PANEL

(A)=YSR765C
 (B)=YSR765C-S
 (C)=

(D)=
 (E)=
 (F)=

REF.	LEV.	PARTS NO.	DESCRIPTION	QTY						I	R
				(A)	(B)	(C)	(D)	(E)	(F)		
1	1	7N3910-30300	PANEL, CONTROL PL	1							
2	1	1N3850-30350	STAY, L	1	1						
3	1	1N3850-30400	STAY, R	1	1						
4	1	26018-060164	BOLT M 6X 16	4	4						
5	1	26018-080164	BOLT M 8X 16	2	2						
6	1	7N3910-30310	PANEL, CONTROL PL				1				

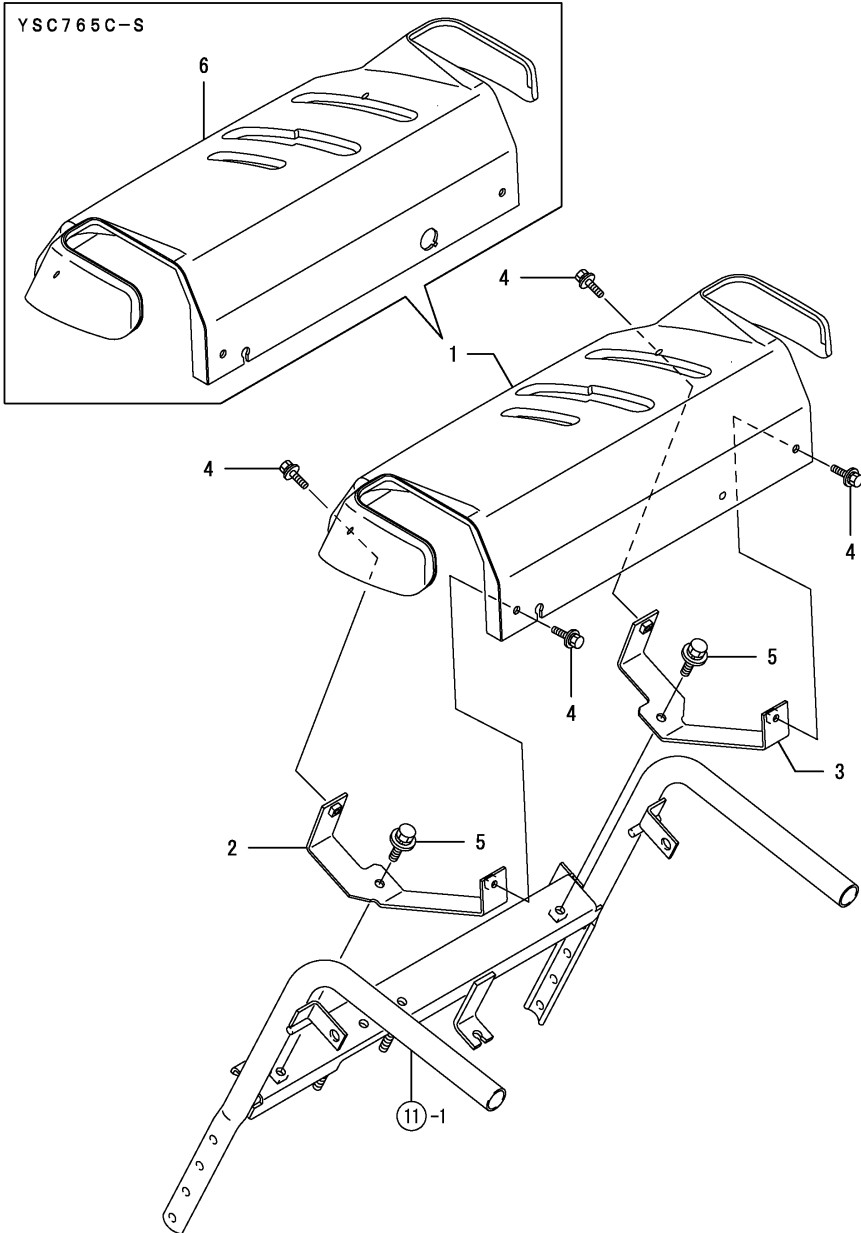


Fig.13. DEAD MAN LEVER

(A)=YSR765C
(B)=YSR765C-S
(C)=

(D)=
(E)=
(F)=

REF.	LEV.	PARTS NO.	DESCRIPTION	Q'TY						I	R
				(A)	(B)	(C)	(D)	(E)	(F)		
1	1	1N3850-31000	LEVER, DEADMAN L	1	1						
2	1	1N3850-31100	LEVER, DEADMAN R	1	1						
3	1	22137-080000	WASHER 8, POLISHED	2	2						
4	1	26016-080164	BOLT M 8X 16	2	2						

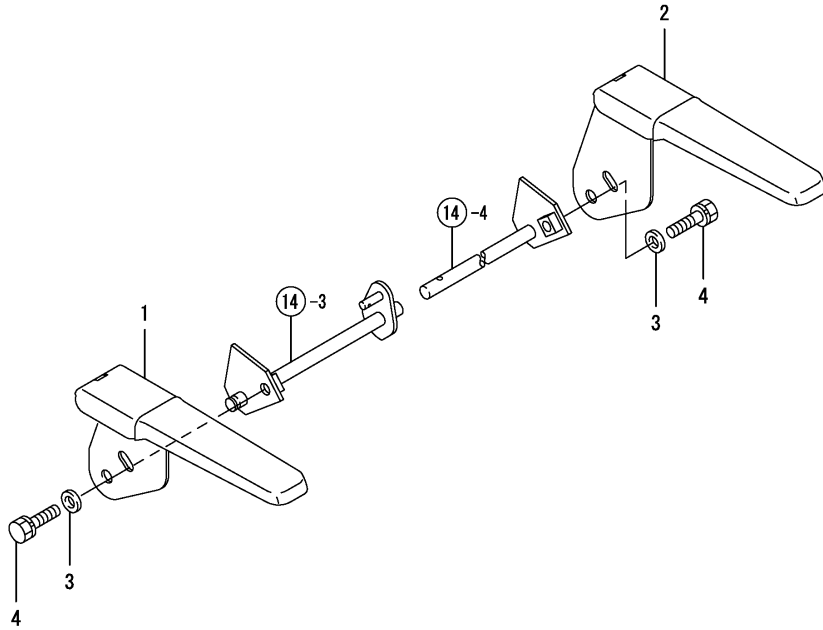
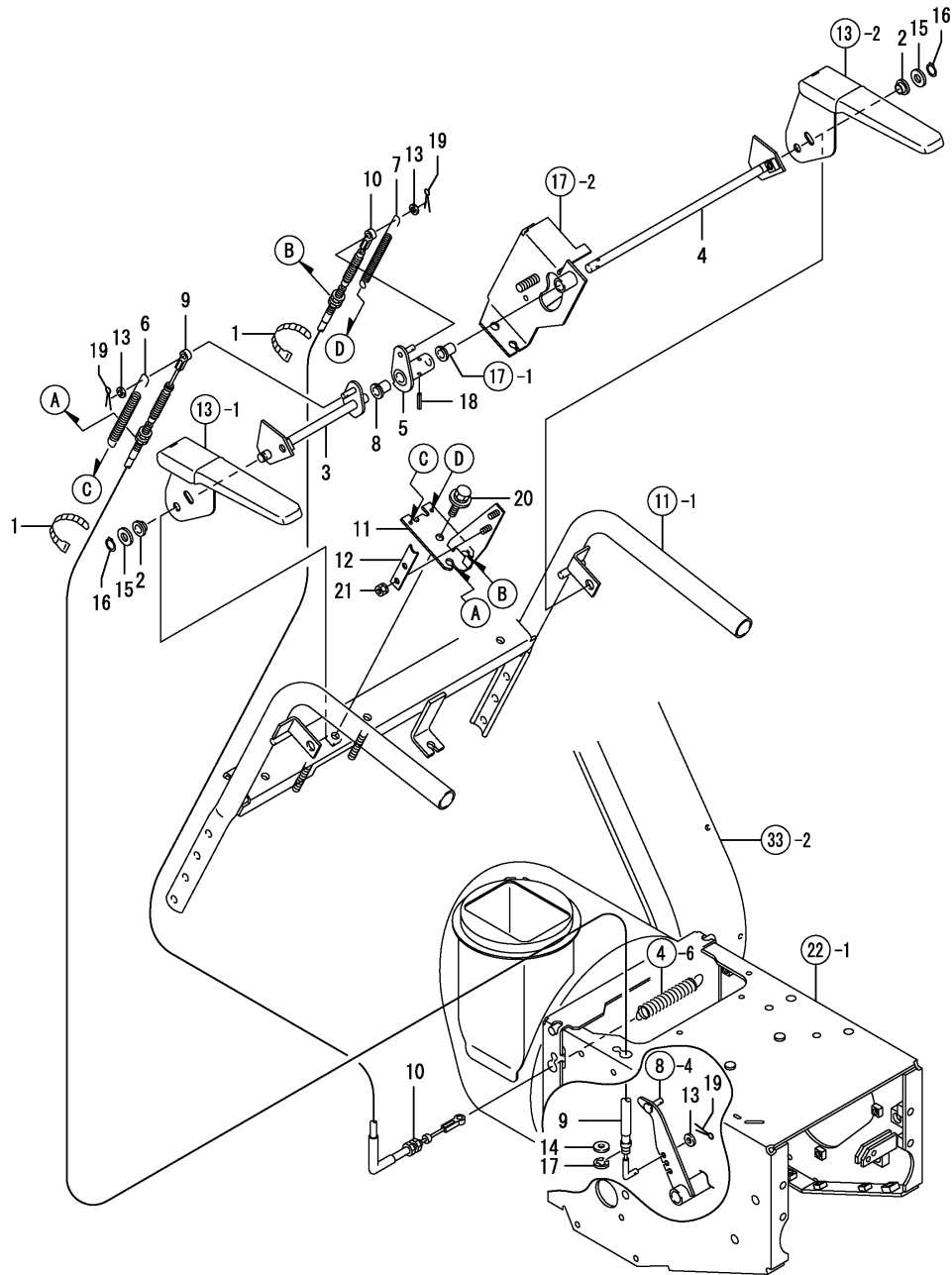


Fig.14. CLUTCH



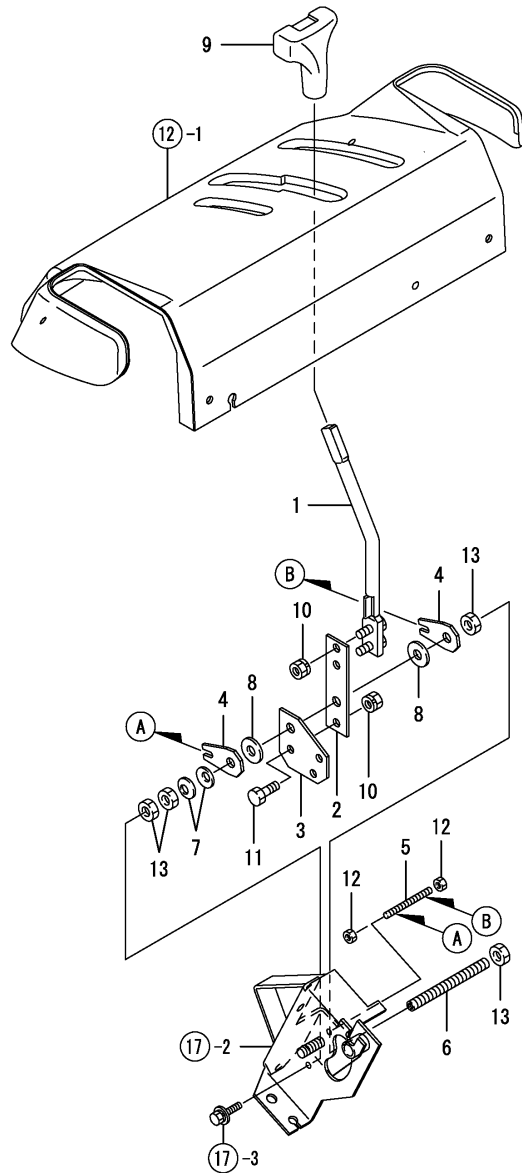
OCNP4-G92900 14. CLUTCH

(A)=YSR765C
(B)=YSR765C-S
(C)=

(D)=
(E)=
(F)=

REF.	LEV.	PARTS NO.	DESCRIPTION	QTY						I	R
				(A)	(B)	(C)	(D)	(E)	(F)		
1	1	1J3999-07000	BAND 100B	3	3						
2	1	1N3440-21300	BUSH, 10X3	2	2						
3	1	1N3850-31200	SHAFT, CLUTCH	1	1						
4	1	1N3850-31300	SHAFT, CLUTCH	1	1						
5	1	1N3850-31400	CLUTCH, WORK	1	1						
6	1	1N3850-31450	SPRING, 11X140	1	1						
7	1	1N3850-31460	SPRING, 9X140	1	1						
8	1	1N3021-31580	BUSH 10X15,FLANGED	1	1						
9	1	1N3910-31600	WIRE, TRAVELING	1	1						
10	1	1N3850-31650	WIRE, WORK	1	1						
11	1	1N3910-31700	MOUNT, WIRE	1	1						
12	1	1N3910-31750	PLATE,	1	1						
13	1	22137-060000	WASHER 6, POLISHED	3	3						
14	1	22137-080000	WASHER 8, POLISHED	1	1						
15	1	22137-100000	WASHER 10,POLISHED	2	2						
16	1	22242-000100	CIRCLIP 10	2	2						
17	1	22272-000070	CIRCLIP E- 7	1	1						
18	1	22351-040020	SPRING PIN 4X20	1	1						
19	1	22417-200100	COTTER PIN 2.0X10	3	3						
20	1	26018-080204	BOLT M 8X 20	1	1						
21	1	26051-060002	NUT M 6	2	2						

Fig.16. CHANGE LEVER



0CNP4-G92900 16. CHANGE LEVER

(A)=YSR765C
(B)=YSR765C-S
(C)=

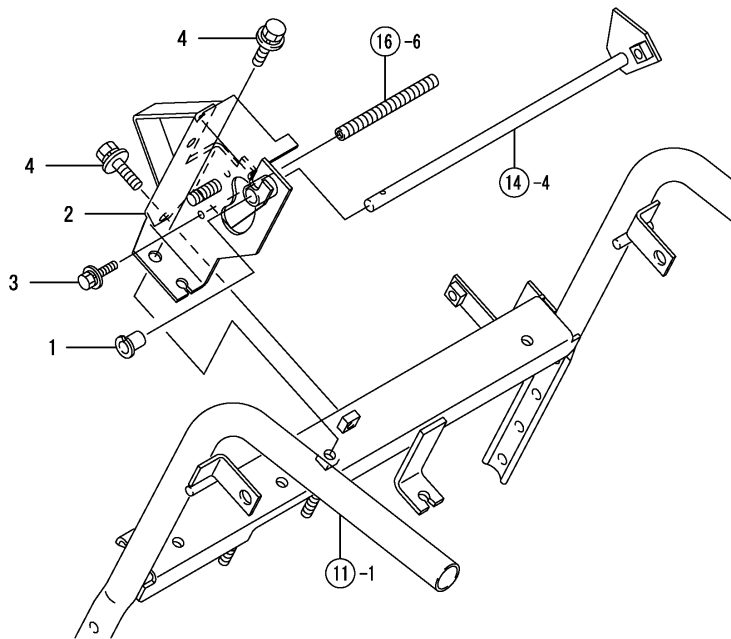
(D)=
(E)=
(F)=

REF.	LEV.	PARTS NO.	DESCRIPTION	QTY						I	R
				(A)	(B)	(C)	(D)	(E)	(F)		
1	1	1N3840-32000	LEVER, CHANGE	1	1						
2	1	1N3850-32050	SPRING, LEVER	1	1						
3	1	1N3850-32100	PLATE, MOUNTING	1	1						
4	1	1N3850-32150	WASHER, STOPPER	2	2						
5	1	1N3850-32160	SCREW, LOCK	1	1						
6	1	1N3850-32200	FULCRUM, LEVER	1	1						
7	1	195385-35870	SPRING	2	2						
8	1	1C7100-48250	PLATE, FRICTION	2	2						
9	1	1E9170-64750	GRIP 13,SHIFT LEVER	1	1						
10	1	26051-080002	NUT M 8	3	3						
11	1	26117-080162	BOLT M 8X 16 PLATED	1	1						
12	1	26717-060002	NUT M 6	2	2						
13	1	26717-100002	NUT M10	4	4						

Fig.17. CHANGE FULCRUM

(A)=YSR765C
(B)=YSR765C-S
(C)=

(D)=
(E)=
(F)=

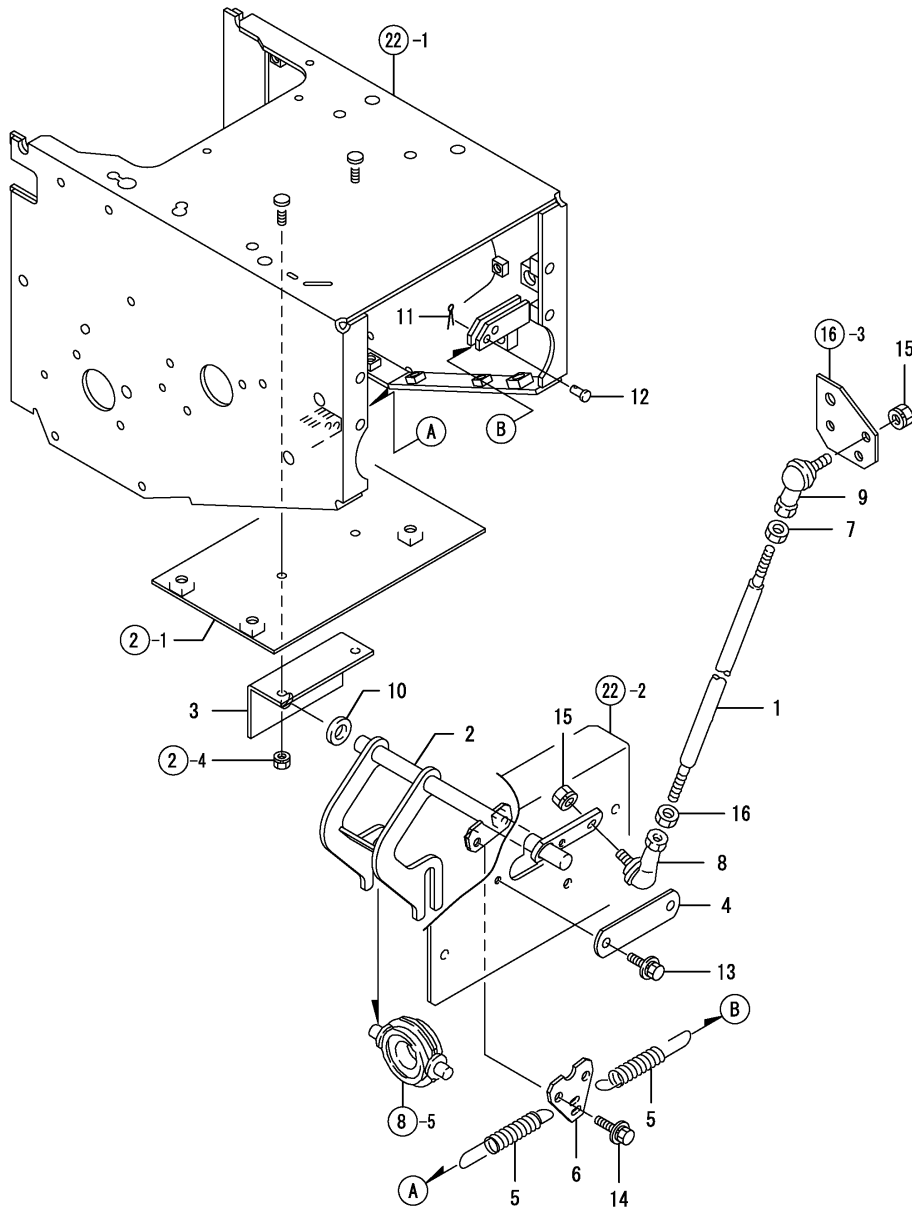


REF.	LEV.	PARTS NO.	DESCRIPTION	Q'TY						I	R
				(A)	(B)	(C)	(D)	(E)	(F)		
1	1	1N3021-31580	BUSH 10X15, FLANGED	1	1						
2	1	1N3850-32401	SUPPORT, FULCRUM	1	1						
3	1	26018-060162	BOLT M6X16	1	1						
4	1	26018-080204	BOLT M 8X 20	2	2						

Fig.18. CHANGE ROD

(A)=YSR765C
(B)=YSR765C-S
(C)=

(D)=
(E)=
(F)=

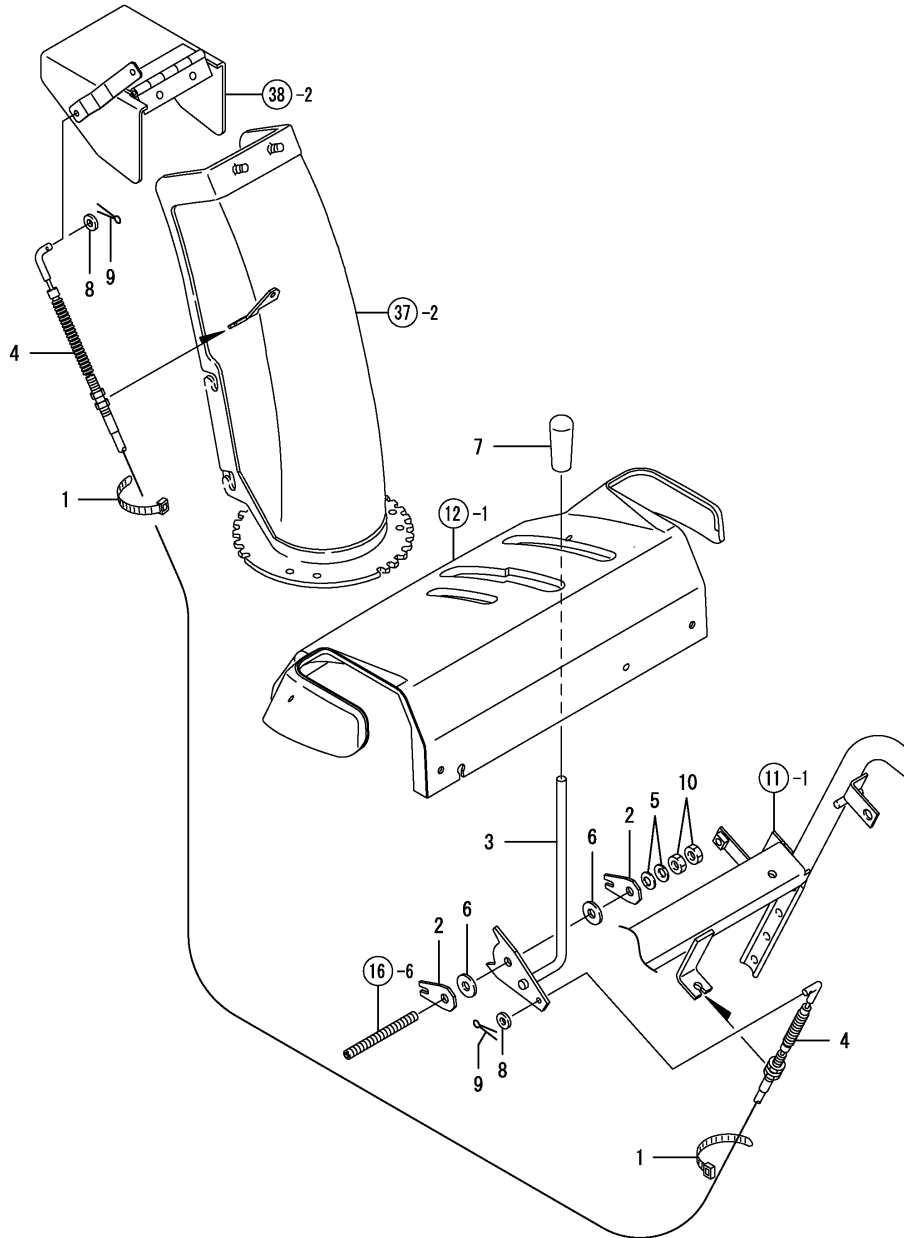


REF.	LEV.	PARTS NO.	DESCRIPTION	QTY						I	R
				(A)	(B)	(C)	(D)	(E)	(F)		
1	1	1N3910-32210	ROD, CHANGE	1	1						
2	1	1N3840-32300	ARM, SLIDE	1	1						
I 2-1	1	1N3840-32301	ARM, SLIDE	1	1						N
		(A=F010363) (B=F010363)									
3	1	1N3400-32350-1	BEARING,SLIDE ARM	1	1						
4	1	1N3300-32500-1	GUIDE,ARM,SLIDE	1	1						
5	1	1N3840-32600	SPRING, 14X98	2	2						
6	1	1N3840-32650	ARM, SPRING	1	1						
7	1	1N1570-32950	NUT 8	1	1						
8	1	1E4760-43090	BALL RBL8,LINK	1	1						
9	1	1E6740-64200	BALL BL8DL, LINK	1	1						
10	1	22117-120000	WASHER 12	1	1						
11	1	22417-160100	COTTER PIN	2	2						
12	1	22487-060120	PIN,FLAT HEAD 6X 12	2	2						
13	1	26018-060162	BOLT M6X16	2	2						
14	1	26018-060162	BOLT M6X16	2	2						
15	1	26051-080002	NUT M 8	2	2						
16	1	26717-080002	NUT 8	1	1						

Fig.19. CHUTE LEVER

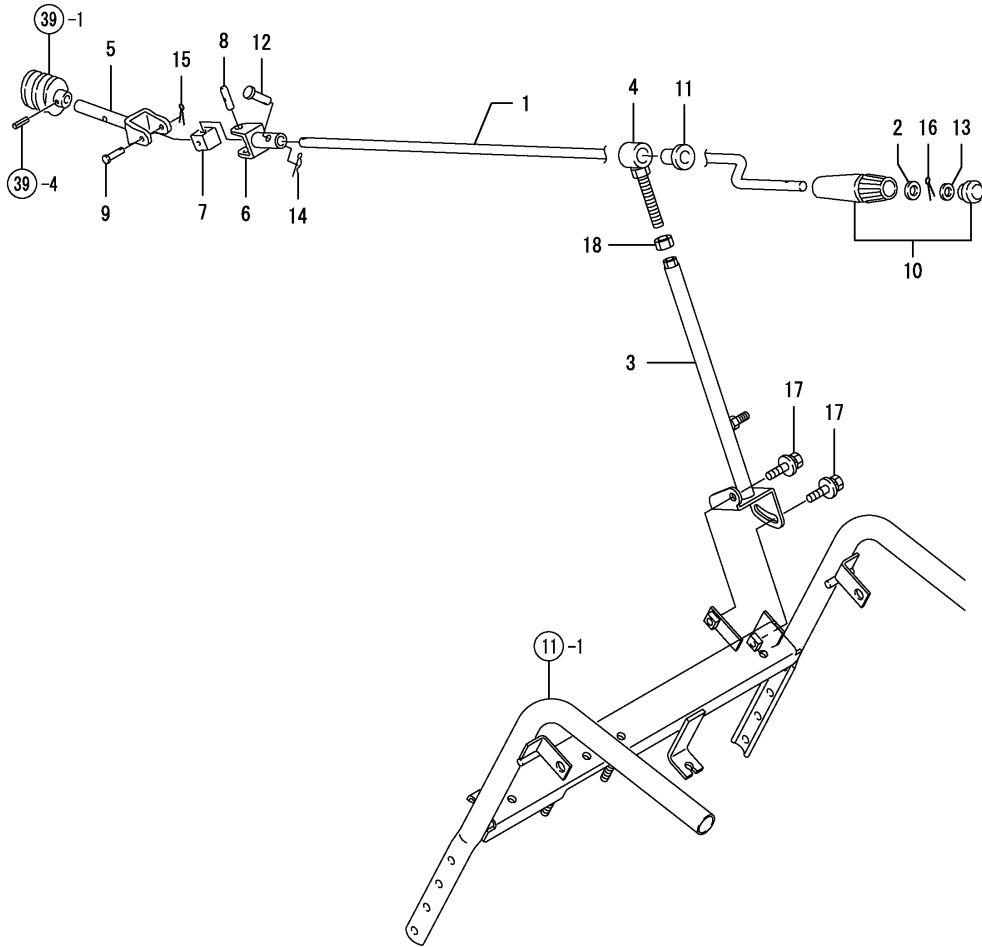
(A)=YSR765C
(B)=YSR765C-S
(C)=

(D)=
(E)=
(F)=



REF.	LEV.	PARTS NO.	DESCRIPTION	Q'TY						I	R
				(A)	(B)	(C)	(D)	(E)	(F)		
1	1	1J3999-07000	BAND 100B	2	2						
2	1	1N3850-32150	WASHER, STOPPER	2	2						
3	1	1N3850-34000	LEVER, CHUTE	1	1						
4	1	1N3850-34200	WIRE, CHUTE	1	1						
5	1	195385-35870	SPRING	2	2						
6	1	1C7100-48250	PLATE, FRICTION	2	2						
7	1	1A1102-57100	GRIP,MN.CLUTCH LEVER	1	1						
8	1	22137-060000	WASHER 6, POLISHED	2	2						
9	1	22417-200100	COTTER PIN 2.0X10	2	2						
10	1	26717-100002	NUT M10	2	2						

Fig.20. CHUTE HANDLE

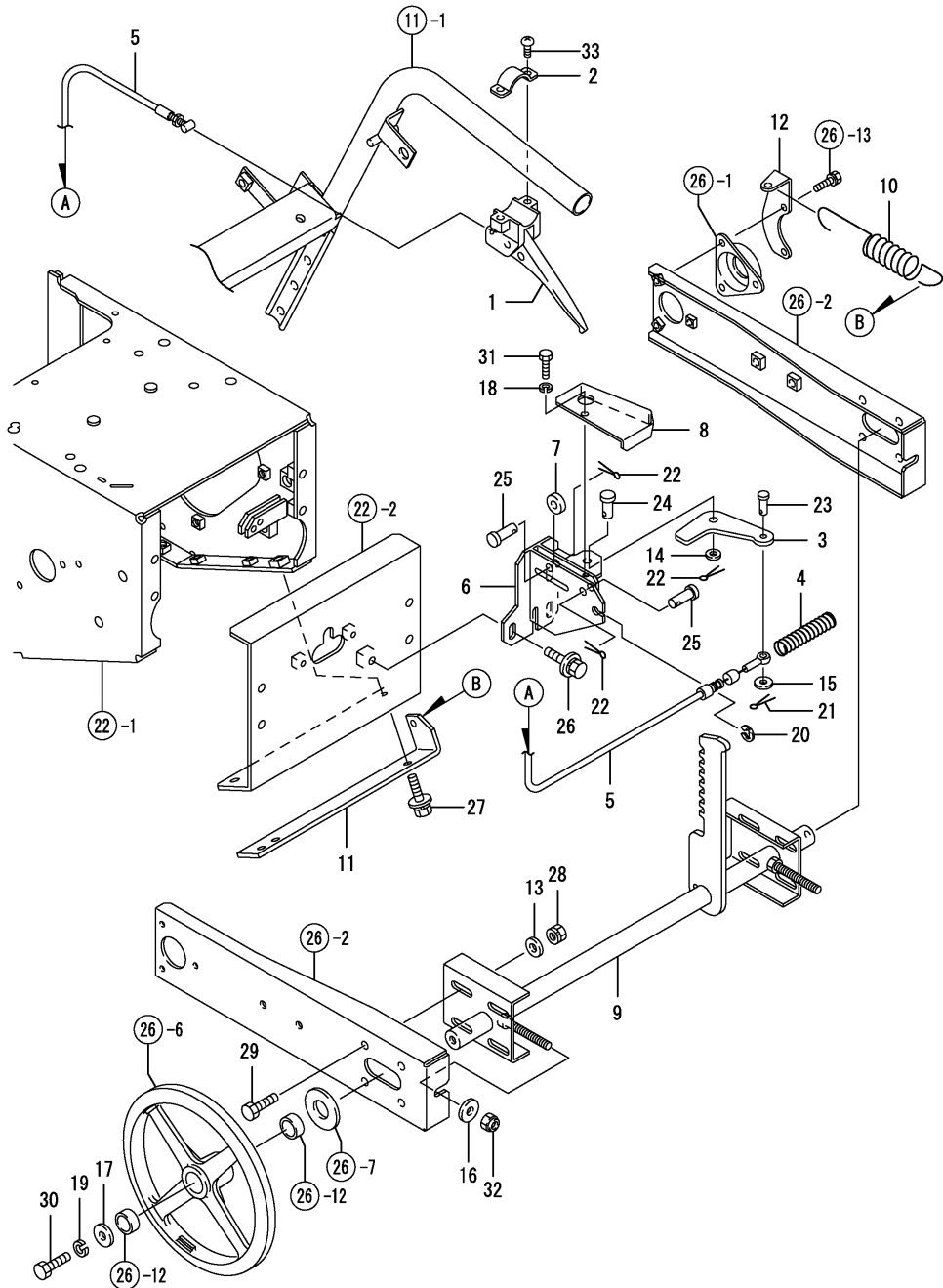


(A)=YSR765C
(B)=YSR765C-S
(C)=

(D)=
(E)=
(F)=

REF.	LEV.	PARTS NO.	DESCRIPTION	Q'TY						I	R
				(A)	(B)	(C)	(D)	(E)	(F)		
1	1	1N3390-34350	HANDLE, CHUTE	1	1						
2	1	1N3021-34390	SPACER 10X14X1	1	1						
3	1	1N3390-34500	STAY,CHUTE HANDLE	1	1						
4	1	1N3390-34530	SUPPORT,HANDLE	1	1						
5	1	1N3390-34600	ROD,CONNECTION	1	1						
6	1	1N3330-34651	JOINT, CONNECTING	1	1						
7	1	1N3330-34700	JOINT FULCRUM	1	1						
8	1	1N3021-34710	JOINT FULCRUM,PIN 8	1	1						
9	1	1N3021-34720	RIVET 4X27.5	1	1						
10	1	1N1711-35520	GRIP,SHOOT	1	1						
11	1	1F5300-43300	BUSH 1015	1	1						
12	1	1N3260-73250	RIVET 4X19.5	1	1						
13	1	22137-060000	WASHER 6, POLISHED	1	1						
14	1	22372-040000	SNAP PIN 4	1	1						
15	1	22417-200100	COTTER PIN 2.0X10	1	1						
16	1	22417-200160	COTTER PIN 2.0X16	1	1						
17	1	26018-080164	BOLT M 8X 16	2	2						
18	1	26717-080002	NUT 8	1	1						

Fig.21. LIFTING



(A)=YSR765C
(B)=YSR765C-S
(C)=

(D)=
(E)=
(F)=

REF.	LEV.	PARTS NO.	DESCRIPTION	QTY						I	R
				(A)	(B)	(C)	(D)	(E)	(F)		
1	1	1N3390-35000	LEVER,LIFT	1	1						
2	1	1N3390-35060	PLATE	1	1						
3	1	1N3390-35100-1	PLATE,STOPPER	1	1						
4	1	1N3390-35150	SPRING,15X70	1	1						
5	1	1N3390-35250	WIRE,LIFTING	1	1						
6	1	1N3390-35300-1	SUPPORT,LIFTING	1	1						
7	1	1N3390-35400	COLLER,GUIDE	1	1						
8	1	1N3390-35450	COVER,LIFT	1	1						
9	1	1N3400-35501	SHAFT, IDLER	1	1						
10	1	1N3390-35600	SPRING,LIFT	1	1						
11	1	1N3390-35650-1	STAY,SPRING A	1	1						
12	1	1N3390-35700-1	STAY,SPRING B	1	1						
13	1	22137-080000	WASHER 8, POLISHED	8	8						
14	1	22137-080000	WASHER 8, POLISHED	1	1						
15	1	22157-060000	WASHER 6	1	1						
16	1	22157-080000	WASHER 8	2	2						
17	1	22157-080000	WASHER 8	2	2						
18	1	22217-060000	SPRING WASHER 6	1	1						
19	1	22217-080000	WASHER, 8	2	2						
20	1	22272-000060	CIRCLIP E- 6	1	1						
21	1	22417-160100	COTTER PIN	1	1						
22	1	22417-200160	COTTER PIN 2.0X16	3	3						
23	1	22487-060160	PIN 6X 16	1	1						
24	1	22487-080120	PIN 8X 12	1	1						
25	1	22487-080160	PIN, H8X16	2	2						
26	1	26018-080202	BOLT M 8X 20	3	3						
27	1	26018-080204	BOLT M 8X 20	2	2						
28	1	26051-080002	NUT M 8	8	8						
29	1	26116-080202	BOLT M 8X 20 PLATED	8	8						
30	1	26116-080252	BOLT M 8X 25 PLATED	2	2						
31	1	26117-060122	BOLT M 6X 12 PLATED	1	1						
32	1	26347-080002	U-NUT M 8	2	2						
33	1	26557-060252	SCREW, M6X25	2	2						

Fig.22. CHASSIS FRAME

(A)=YSR765C
(B)=YSR765C-S
(C)=

(D)=
(E)=
(F)=

REF.	LEV.	PARTS NO.	DESCRIPTION	Q'TY						I	R
				(A)	(B)	(C)	(D)	(E)	(F)		
1	1	1N3910-36000	CHASSIS,	1	1						
2	1	1N3910-36100	CHASSIS, REAR	1	1						
3	1	1N3850-36200	PLATE, BOTTOM	1	1						
4	1	26018-060124	BOLT M 6X 12	7	7						
5	1	26018-080164	BOLT M 8X 16	2	2						

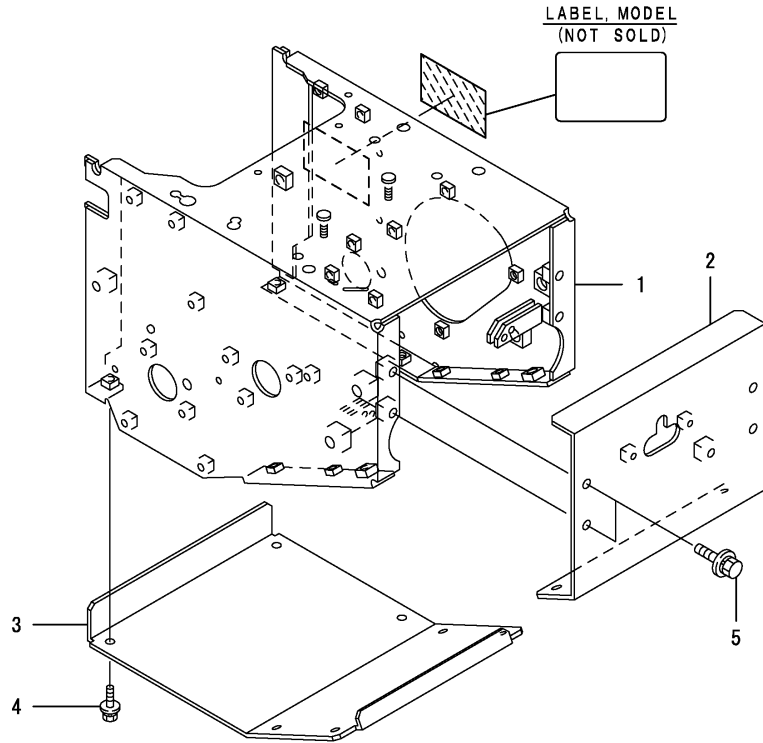


Fig.23. BELT COVER

(A)=YSR765C
(B)=YSR765C-S
(C)=

(D)=
(E)=
(F)=

REF.	LEV.	PARTS NO.	DESCRIPTION	Q'TY						I	R
				(A)	(B)	(C)	(D)	(E)	(F)		
1	1	7N3910-37000	COVER, BELT PL	1	1						
2	1	1N3910-37100	COVER,	1	1						
3	1	26018-060124	BOLT M 6X 12	4	4						
4	1	26018-080164	BOLT M 8X 16	2	2						

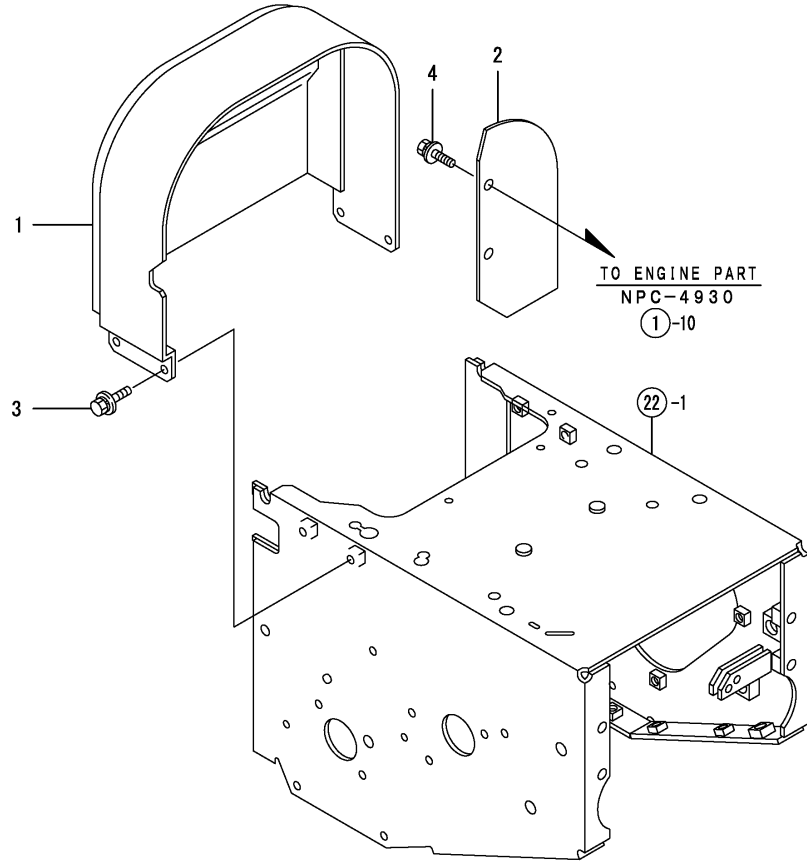


Fig.24. GEAR COVER

0CNP4-G92900 24. GEAR COVER

(A)=YSR765C
(B)=YSR765C-S
(C)=

(D)=
(E)=
(F)=

REF.	LEV.	PARTS NO.	DESCRIPTION	Q'TY						I	R
				(A)	(B)	(C)	(D)	(E)	(F)		
1	1	1N3390-37100	COVER,GEAR	1	1						
2	1	26018-060124	BOLT M 6X 12	4	4						

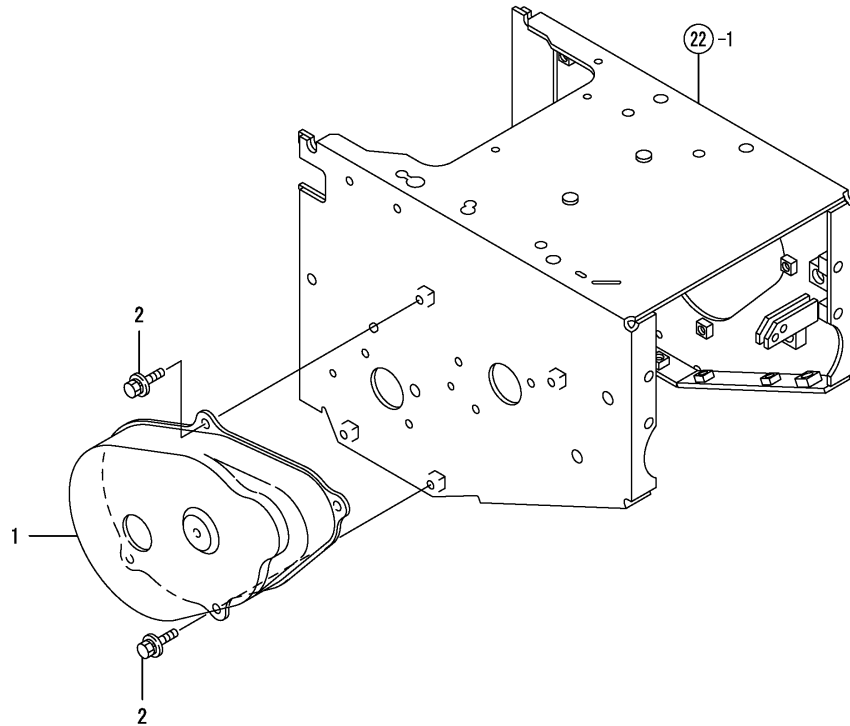


Fig.25. CRAWLER

0CNP4-G92900 25. CRAWLER

(A)=YSR765C
(B)=YSR765C-S
(C)=

(D)=
(E)=
(F)=

REF.	LEV.	PARTS NO.	DESCRIPTION	Q'TY						I	R
				(A)	(B)	(C)	(D)	(E)	(F)		
1	1	1N3360-38000	CRAWLER	2	2						

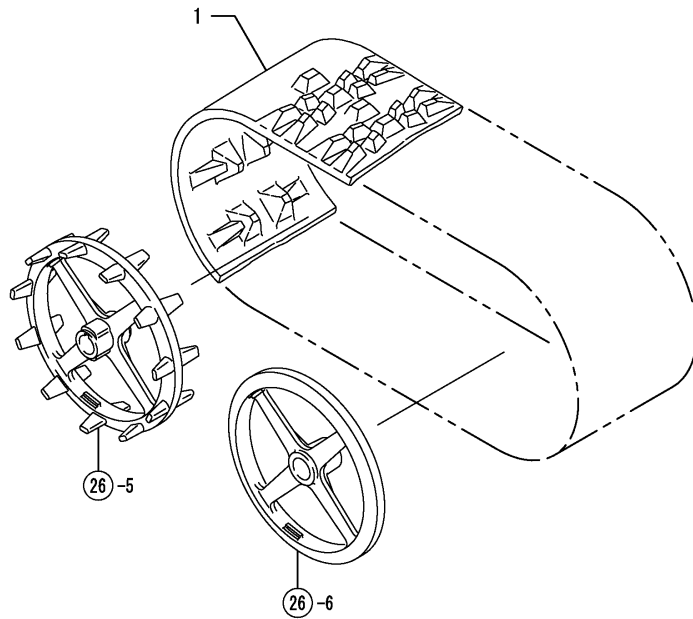
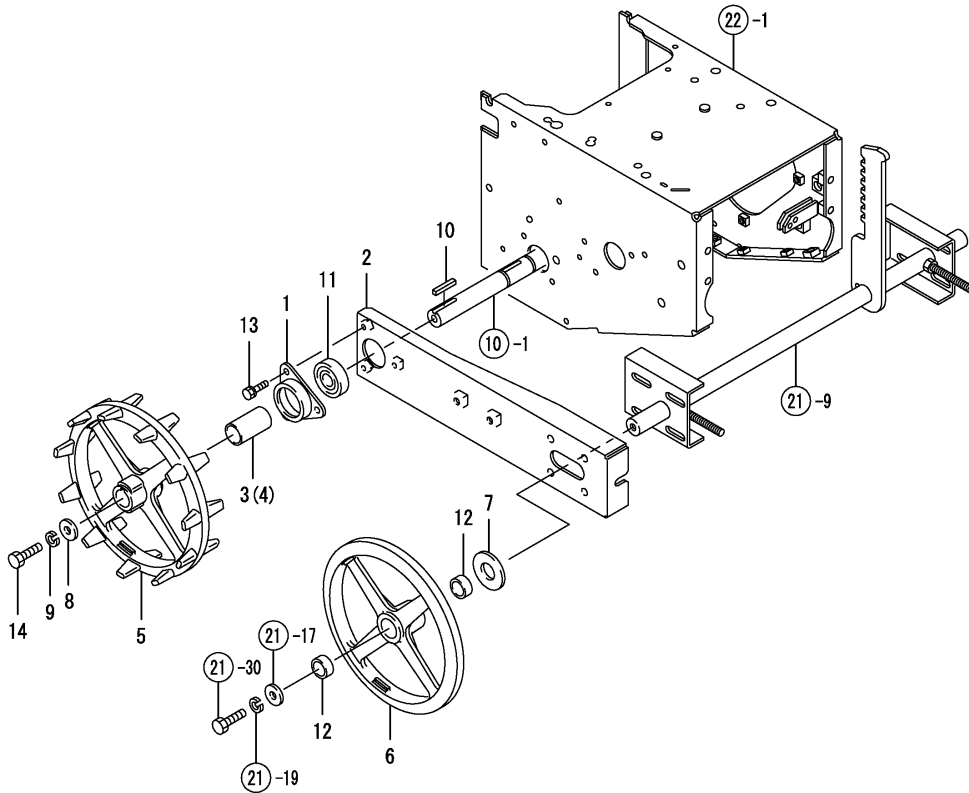


Fig.26. CRAWLER FRAME

0CNP4-G92900 26. CRAWLER FRAME

(A)=YSR765C
(B)=YSR765C-S
(C)=

(D)=
(E)=
(F)=



REF.	LEV.	PARTS NO.	DESCRIPTION	QTY						I	R
				(A)	(B)	(C)	(D)	(E)	(F)		
1	1	1N3300-25100	JOINT 6004	2	2						
2	1	1N3390-38200-1	FRAME,CRAWLER	2	2						
3	1	1N3400-38400	COLLAR 20X25X44.7	1	1						
4	1	1N3400-38450	COLLAR,20X25X73	1	1						
5	1	1N1723-38500-1	SPROCKET, 11-43	2	2						
6	1	1N3021-38600-1	WHEEL	2	2						
7	1	22137-200000	WASHER, 20	2	2						
8	1	22157-080000	WASHER 8	2	2						
9	1	22217-080000	WASHER, 8	2	2						
10	1	22550-050300	KEY 5X30	2	2						
11	1	24104-060044	BALL BEARING	2	2						
12	1	24550-020100	BUSH	4	4						
13	1	26016-060162	BOLT M 6X 16	6	6						
14	1	26116-080252	BOLT M 8X 25 PLATED	2	2						

Fig.27. CRAWLER GUIDE

0CNP4-G92900 27. CRAWLER GUIDE

(A)=YSR765C
(B)=YSR765C-S
(C)=

(D)=
(E)=
(F)=

REF.	LEV.	PARTS NO.	DESCRIPTION	Q'TY						I	R
				(A)	(B)	(C)	(D)	(E)	(F)		
1	1	1N3370-38500-1	GUIDE,CRAWLER	2	2						
2	1	26016-080202	BOLT M 8X 20	4	4						

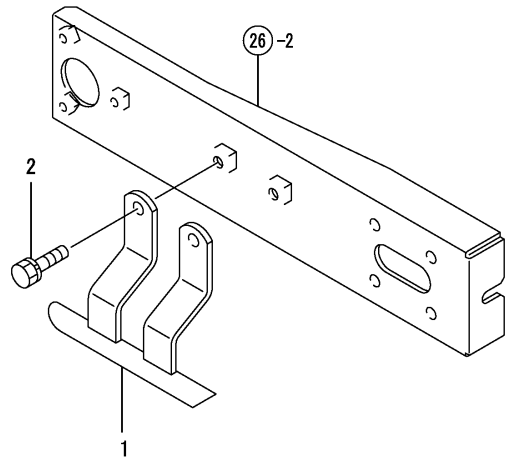
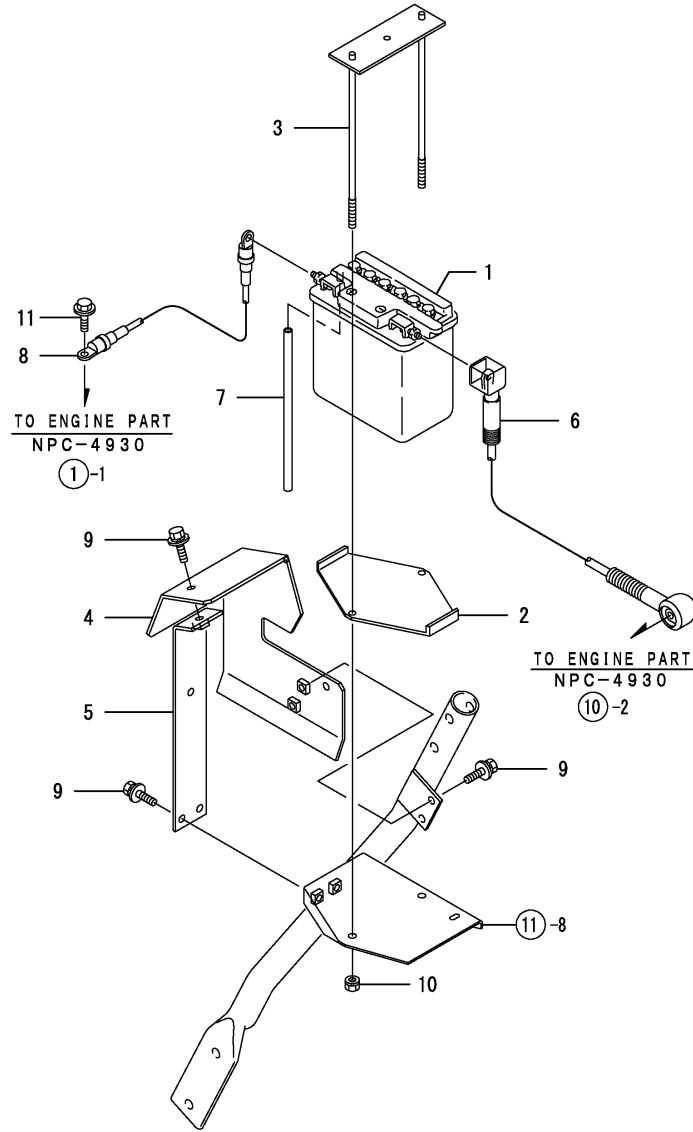


Fig.28. BATTERY

(A)=YSR765C
(B)=YSR765C-S
(C)=

(D)=
(E)=
(F)=



REF.	LEV.	PARTS NO.	DESCRIPTION	QTY						I	R	
				(A)	(B)	(C)	(D)	(E)	(F)			
1	1	1N3300-51010	BATTERY YB12AL-A		1							
2	1	1N3850-51100	GUIDE, BATTERY		1							
3	1	1N3850-51150	RETAINER, BATTERY		1							
4	1	1N3850-51200	COVER, BATTERY		1							
5	1	1N3850-51250	STAY, BATTERY		1							
6	1	1N3850-51300	CABLE, PLUS		1							
7	1	1N1710-51350	PIPE, VINYL		1							
8	1	1N3870-51350	CABLE, MINUS		1							
9	1	26018-060164	BOLT M 6X 16		5							
10	1	26051-060002	NUT M 6		2							
11	1	26476-060162	BOLT, M6X16		1							

Fig.29. HARNESS

(A)=YSR765C
(B)=YSR765C-S
(C)=

(D)=
(E)=
(F)=

REF.	LEV.	PARTS NO.	DESCRIPTION	Q'TY						I	R
				(A)	(B)	(C)	(D)	(E)	(F)		
1	1	1N3910-51400	HARNESS,	1							
2	1	1E6102-84960	BAND 250,WIRE LOCK	2							
3	1	1E6102-84970	BAND 140,WIRE LOCK	3							

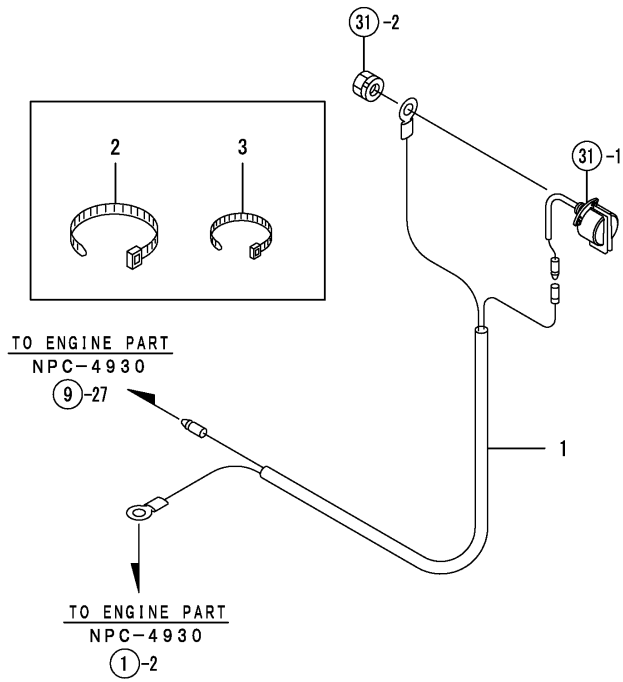


Fig.30. HARNESS

(A)=YSR765C
(B)=YSR765C-S
(C)=

(D)=
(E)=
(F)=

REF.	LEV.	PARTS NO.	DESCRIPTION	Q'TY						I	R	
				(A)	(B)	(C)	(D)	(E)	(F)			
1	1	1N3910-51500	HARNESS,		1							
2	1	1E8665-83180	FUSE, 20A		1							
3	1	1E6102-84960	BAND 250,WIRE LOCK				2					
4	1	1E6102-84970	BAND 140,WIRE LOCK				3					

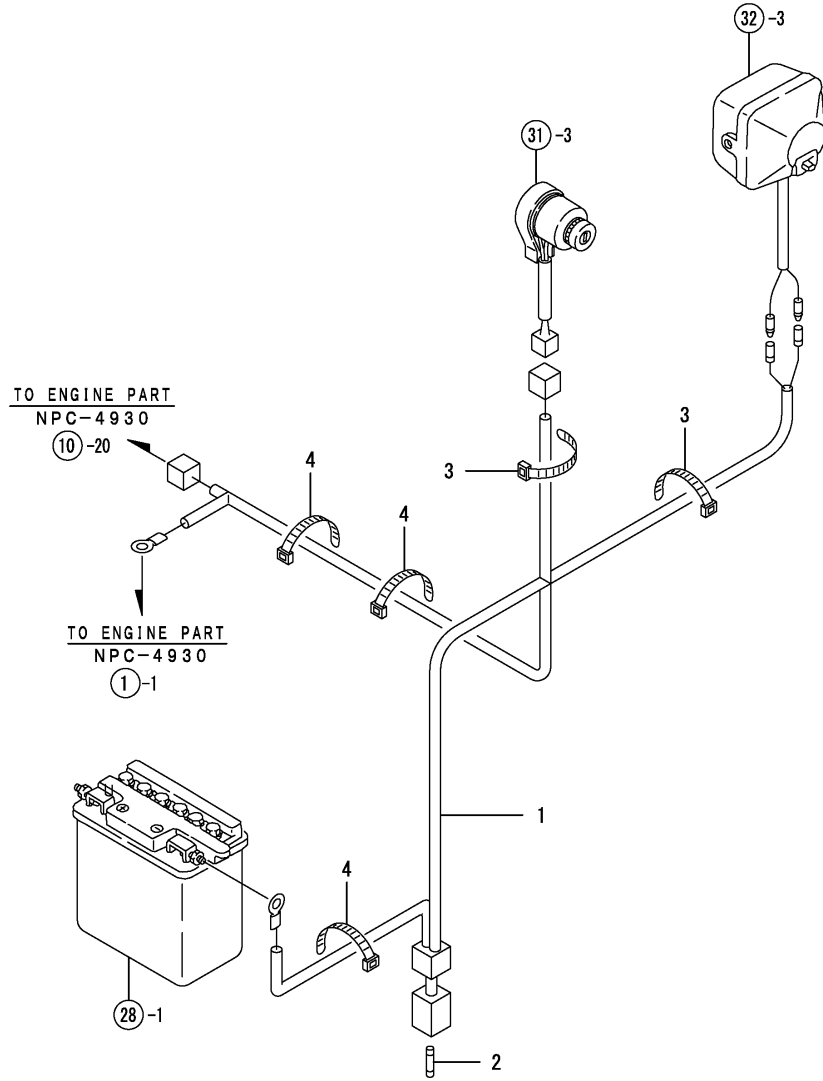
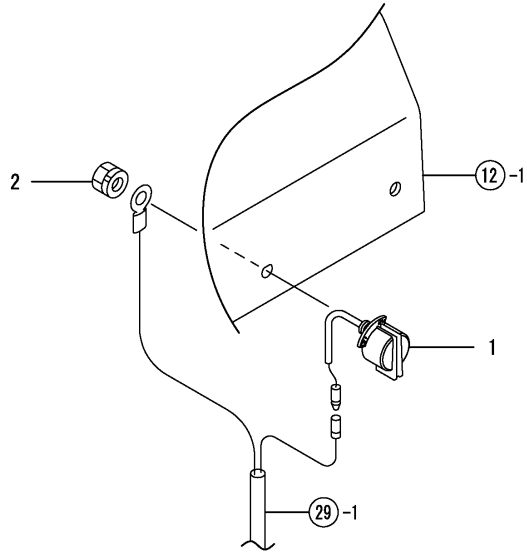


Fig.31. SWITCH

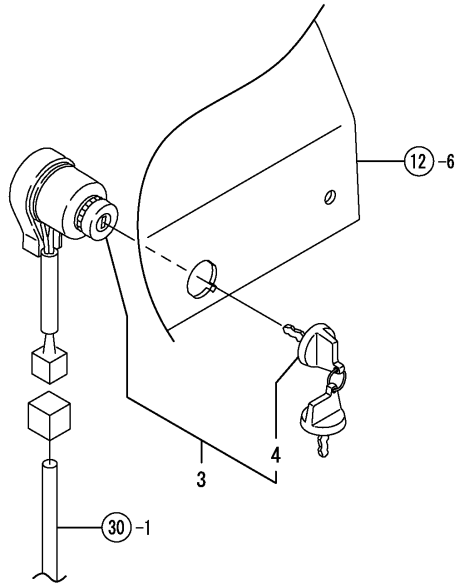
(A)=YSR765C
(B)=YSR765C-S
(C)=

(D)=
(E)=
(F)=

YSR765C



YSR765C-S



REF.	LEV.	PARTS NO.	DESCRIPTION	Q'TY						I	R
				(A)	(B)	(C)	(D)	(E)	(F)		
1	1	1A1470-40900	SWITCH,STOP	1							
2	1	26051-080002	NUT M 8	1							
3	1	1N3021-52300	SWITCH ASSY.,KEY		1						
4	2	160797-77270	KEY, REVERSE		1						

Fig.32. LAMP

(A)=YSR765C
(B)=YSR765C-S
(C)=

(D)=
(E)=
(F)=

REF.	LEV.	PARTS NO.	DESCRIPTION	Q'TY						I	R
				(A)	(B)	(C)	(D)	(E)	(F)		
1	1	1N3400-51450	STAY,LIGHT	1	1						
2	1	1N3300-51480	HARNES, LAMP	1							
3	1	1N1711-51850	HEADLIGHT COMPL.	1	1						
4	2	1N1711-51860	LAMP 12V-15W G23	1	1						
5	1	26051-080002	NUT M 8	1	1						

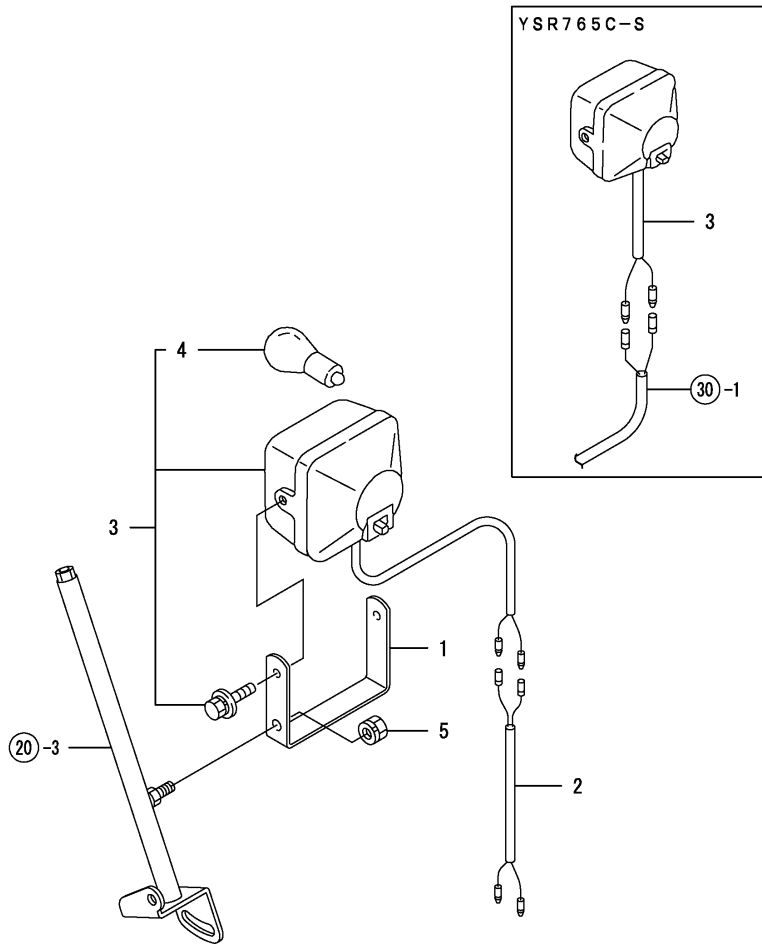
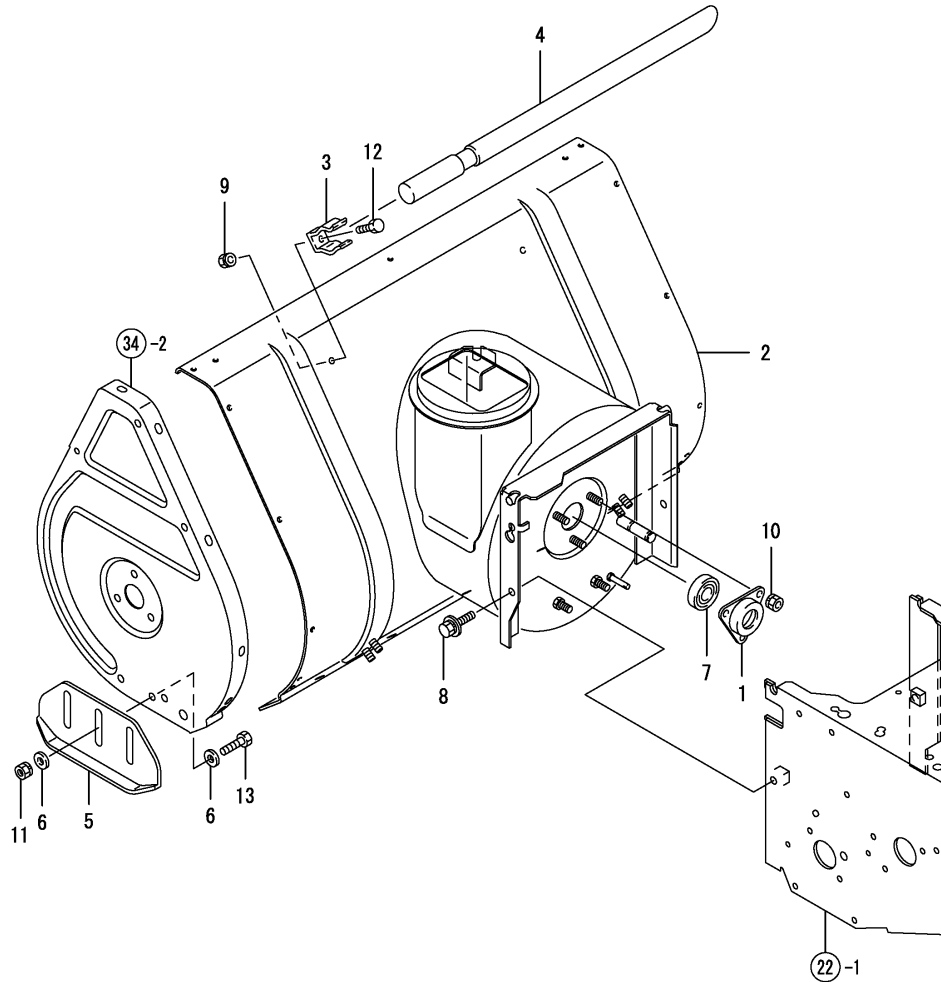


Fig.33. AUGER FRAME

(A)=YSR765C
(B)=YSR765C-S
(C)=

(D)=
(E)=
(F)=



REF.	LEV.	PARTS NO.	DESCRIPTION	QTY						I	R
				(A)	(B)	(C)	(D)	(E)	(F)		
1	1	1N1570-38210	BEARING 6203B	1	1						
2	1	1N3910-71000	FRAME, WORK	1	1						
3	1	1N1710-71062-2	STOPPER	2	2						
4	1	1N1710-71072	ROD, SNOW SHOVELING	1	1						
5	1	1N3300-71401-1	SHOE	2	2						
6	1	22137-080000	WASHER 8, POLISHED	8	8						
7	1	24104-062034	BALL BEARING	1	1						
8	1	26018-080202	BOLT M 8X 20	2	2						
9	1	26051-060002	NUT M 6	2	2						
10	1	26051-080002	NUT M 8	3	3						
11	1	26051-080002	NUT M 8	4	4						
12	1	26117-060122	BOLT M 6X 12 PLATED	2	2						
13	1	26117-080202	BOLT M 8X 20 PLATED	4	4						

Fig.34. AUGER PLATE

0CNP4-G92900 34. AUGER PLATE

(A)=YSR765C
(B)=YSR765C-S
(C)=

(D)=
(E)=
(F)=

REF.	LEV.	PARTS NO.	DESCRIPTION	Q'TY						I	R
				(A)	(B)	(C)	(D)	(E)	(F)		
1	1	1N1570-38200	BEARING 6203C	2	2						
2	1	1N3870-71210	PLATE, SIDE L	1	1						
3	1	1N3870-71260	PLATE, SIDE R	1	1						
4	1	24104-062034	BALL BEARING	2	2						
5	1	26016-080164	BOLT M 8X 16	6	6						
6	1	26018-060124	BOLT M 6X 12	12	12						

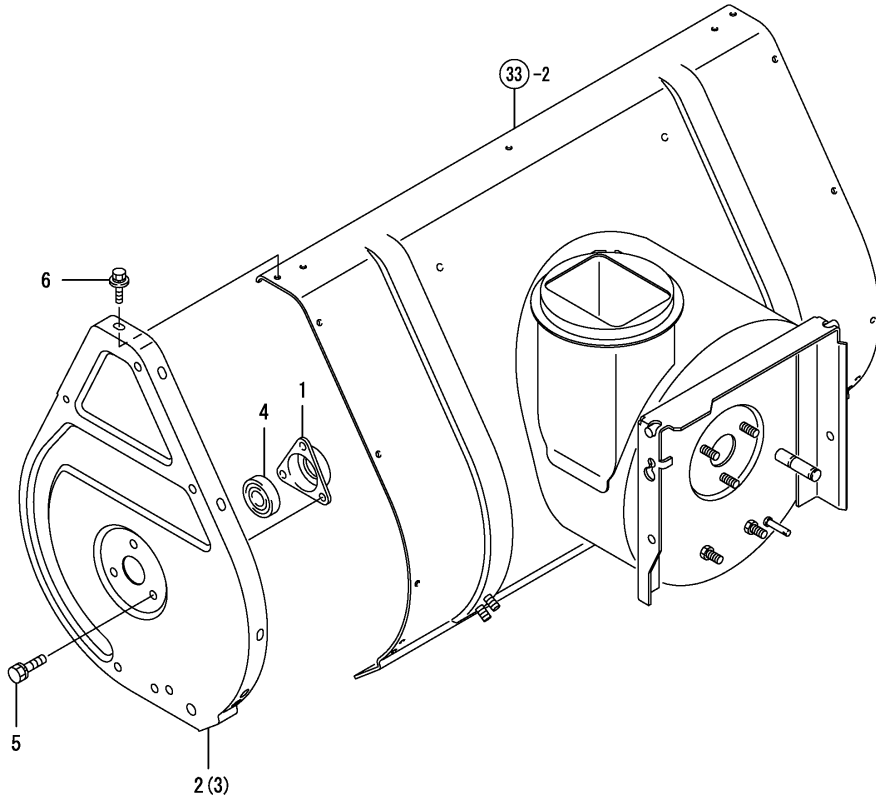


Fig.36. AUGER BOTTOM

(A)=YSR765C
(B)=YSR765C-S
(C)=

(D)=
(E)=
(F)=

REF.	LEV.	PARTS NO.	DESCRIPTION	Q'TY						I	R
				(A)	(B)	(C)	(D)	(E)	(F)		
1	1	1N3310-71301-1	PLATE,BOTTOM(650	1	1						
2	1	1N3300-71320	BOLT	5	5						
3	1	1N3300-71330	BOLT	2	2						
4	1	22137-060000	WASHER 6, POLISHED	5	5						
5	1	22157-080000	WASHER 8	2	2						
6	1	26051-060002	NUT M 6	5	5						
7	1	26051-080002	NUT M 8	2	2						

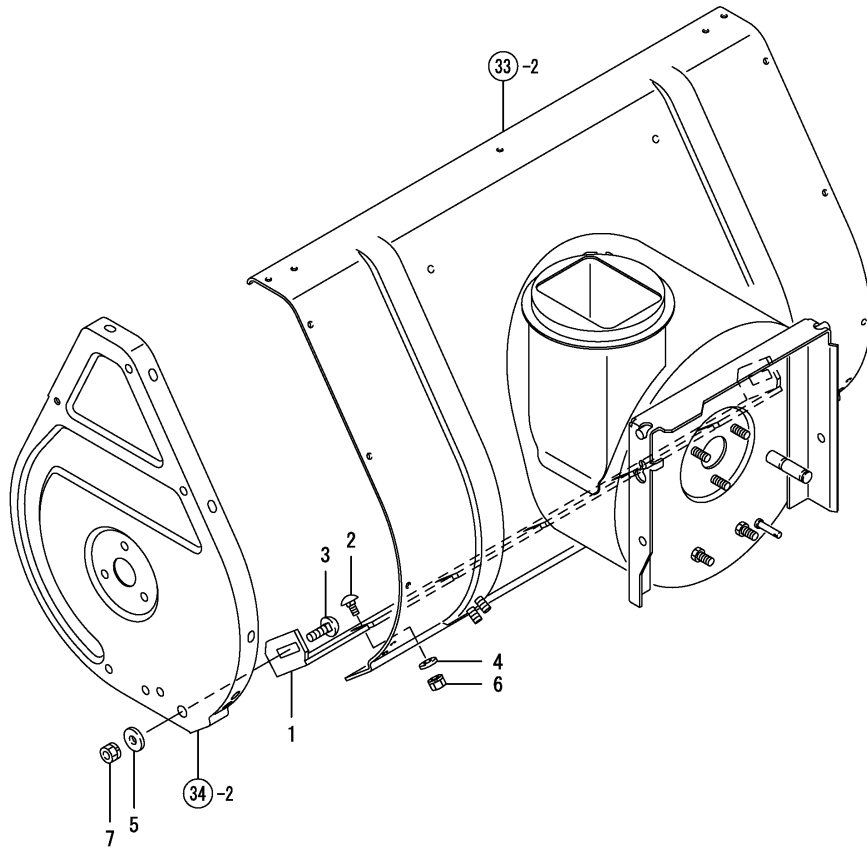
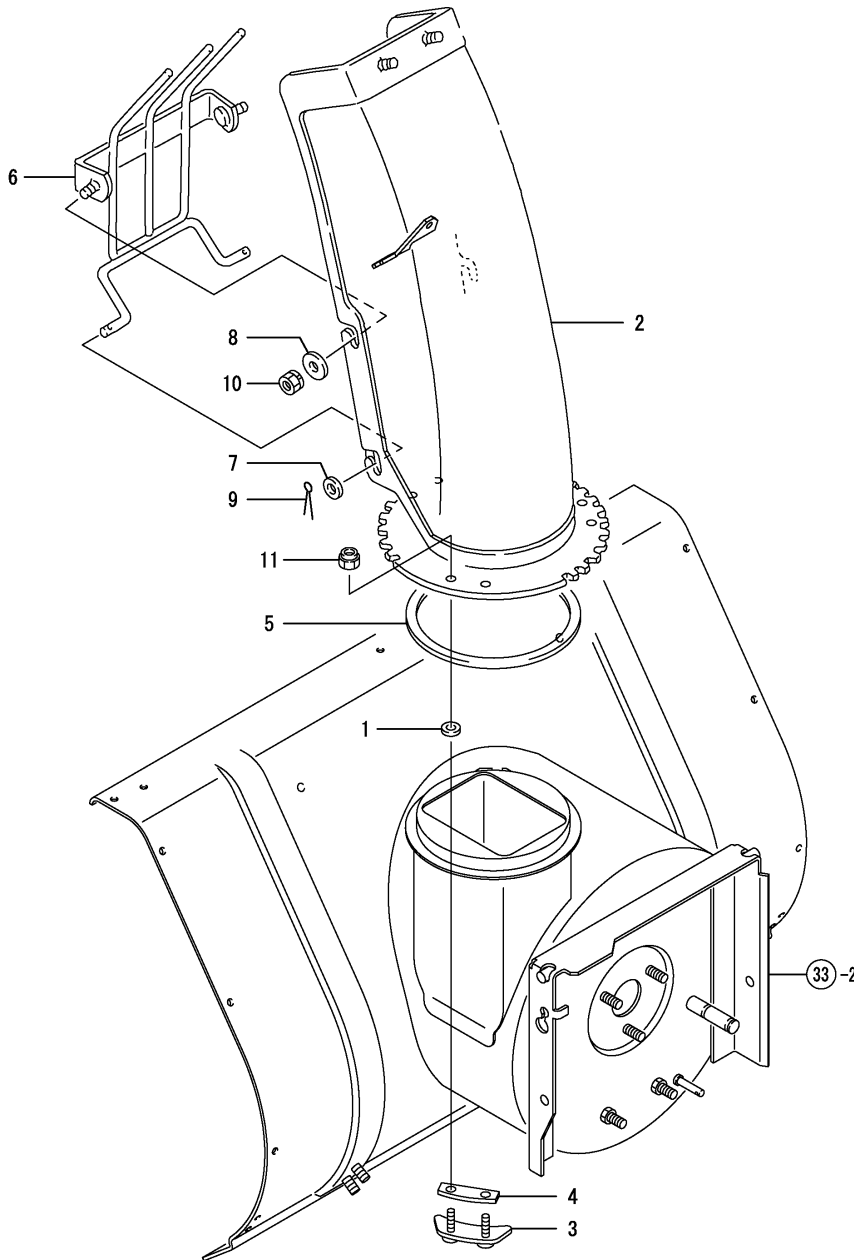


Fig.37. CHUTE

(A)=YSR765C
(B)=YSR765C-S
(C)=

(D)=
(E)=
(F)=



REF.	LEV.	PARTS NO.	DESCRIPTION	QTY						I	R
				(A)	(B)	(C)	(D)	(E)	(F)		
1	1	1J3999-02160	WASHER	6	6						
2	1	7N3910-73000	CHUTE PL	1	1						
3	1	1N3021-73201	FIXTURE A,SHOOTER	3	3						
4	1	1N1711-73240	SPACER	3	3						
5	1	1N1711-73280	PLATE,FLOOR	1	1						
6	1	1N1960-73502	GUARD	1	1						
7	1	22137-060000	WASHER 6, POLISHED	2	2						
8	1	22157-060000	WASHER 6	2	2						
9	1	22417-200120	COTTER PIN 2.0X12	2	2						
10	1	26051-060002	NUT M 6	2	2						
11	1	26347-060002	U-NUT M 6	6	6						

Fig.38. DEFLECTOR

0CNP4-G92900 38. DEFLECTOR

(A)=YSR765C
 (B)=YSR765C-S
 (C)=

(D)=
 (E)=
 (F)=

REF.	LEV.	PARTS NO.	DESCRIPTION	Q'TY						I	R
				(A)	(B)	(C)	(D)	(E)	(F)		
1	1	1N1711-73170	RUBBER,SNOW PROTECT.	1	1						
2	1	1N3910-73200	DEFLECTOR,	1	1						
3	1	1N3910-73250	SPRING, 14X130	1	1						
4	1	26051-060002	NUT M 6	2	2						

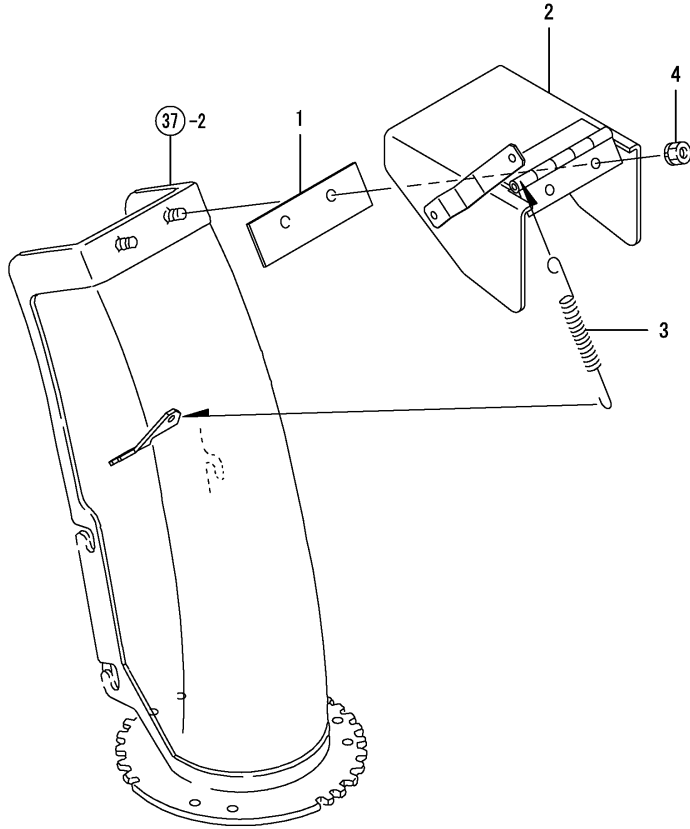


Fig.39. CHANGE ROTATION

(A)=YSR765C
 (B)=YSR765C-S
 (C)=

(D)=
 (E)=
 (F)=

REF.	LEV.	PARTS NO.	DESCRIPTION	Q'TY						I	R
				(A)	(B)	(C)	(D)	(E)	(F)		
1	1	1N3390-73300	WORM,3X3L	1	1						
2	1	1N3390-73350	BEAKING,WORM	1	1						
3	1	22137-080000	WASHER 8, POLISHED	1	1						
4	1	22351-050020	SPRING PIN 5X20	1	1						
5	1	26051-080002	NUT M 8	1	1						
6	1	26117-080162	BOLT M 8X 16 PLATED	1	1						

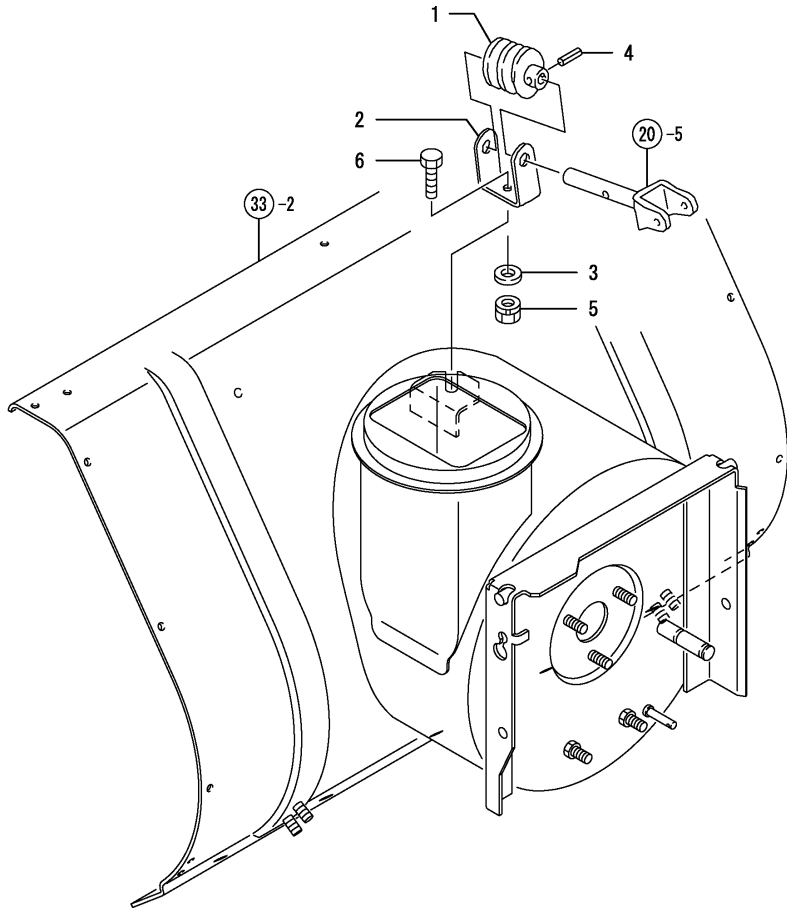


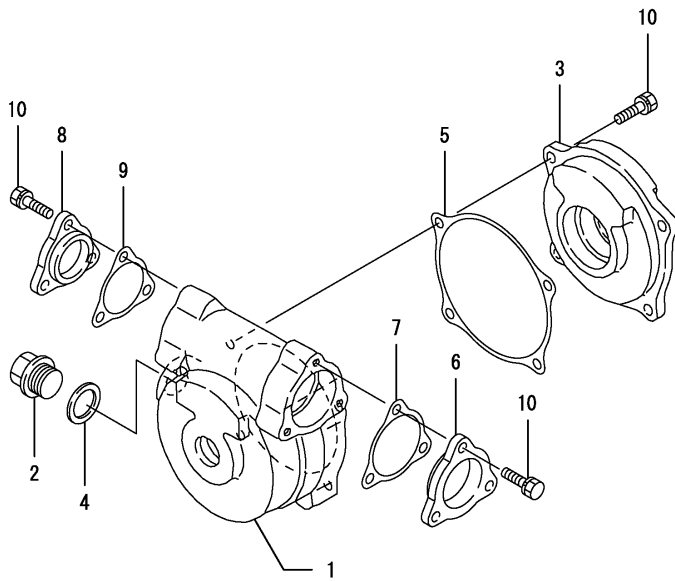
Fig.40. GEAR CASE

0CNP4-G92900 40. GEAR CASE

(A)=YSR765C
(B)=YSR765C-S
(C)=

(D)=
(E)=
(F)=

REF.	LEV.	PARTS NO.	DESCRIPTION	Q'TY						I	R
				(A)	(B)	(C)	(D)	(E)	(F)		
1	1	1N1710-74002-1	CASE,GEAR	1	1						
2	1	1N1711-74000	BOLT,DRAIN	1	1						
3	1	1N1710-74012-1	COVER C,SNAP-IN	1	1						
4	1	1N1711-74010	PACKING 20X28X2,CU	1	1						
I 4-1	1	22190-200000 (A=F010481) (B=F010481)	SEAL WASHER 20(BOLT)	1	1						N
5	1	1N1570-74050	PACKING C	1	1						
6	1	1N1570-74110-1	COVER A,KEEP	1	1						
7	1	1N1570-74120	PACKING A	1	1						
8	1	1N1570-74130-1	COVER B,KEEP	1	1						
9	1	1N1570-74140	PACKING B	1	1						
10	1	26016-060202	BOLT M 6X 20	10	10						



N:Old $\begin{matrix} \leftarrow \text{Yes} \\ \text{No} \rightarrow \end{matrix}$ New, Q:Old $\begin{matrix} \leftarrow \text{No} \\ \text{Yes} \rightarrow \end{matrix}$ New, R:Old $\begin{matrix} \leftarrow \text{Yes} \\ \text{No} \rightarrow \end{matrix}$ New, S:Old $\begin{matrix} \leftarrow \text{No} \\ \text{Yes} \rightarrow \end{matrix}$ New, W:Add, Z:Discontinued, F:Interchangeable by set, K:Q'ty Change
(C)Copy Rights YANMAR CO.,LTD.

Fig.41. BLOWER SHAFT

0CNP4-G92900 41. BLOWER SHAFT

(A)=YSR765C
(B)=YSR765C-S
(C)=

(D)=
(E)=
(F)=

REF.	LEV.	PARTS NO.	DESCRIPTION	Q'TY						I	R
				(A)	(B)	(C)	(D)	(E)	(F)		
1	1	1N3840-74100	SHAFT, WORM	1	1						
2	1	24107-060044	BALL BEARING	1	1						
3	1	24107-062024	BALL BEARING	1	1						
4	1	24421-203508	SEAL, OIL	1	1						

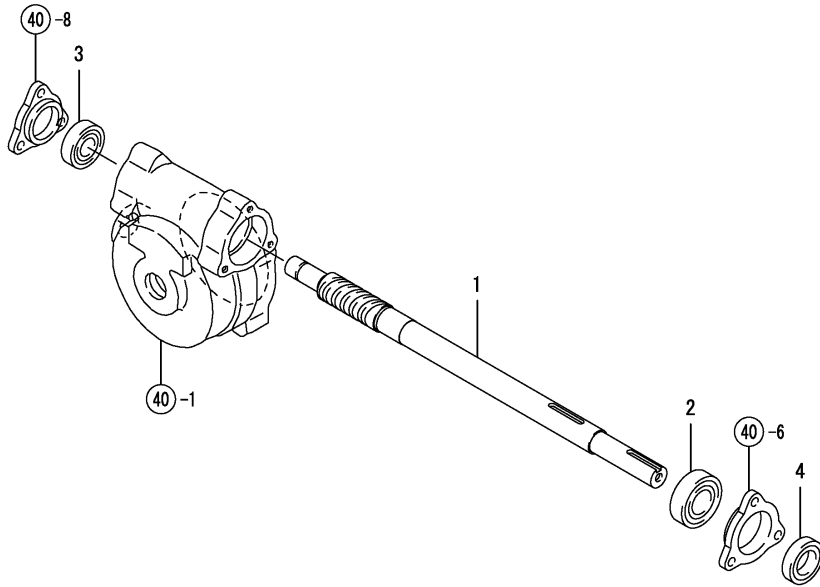


Fig.42. AUGER SHAFT

0CNP4-G92900 42. AUGER SHAFT

(A)=YSR765C
 (B)=YSR765C-S
 (C)=

(D)=
 (E)=
 (F)=

REF.	LEV.	PARTS NO.	DESCRIPTION	Q'TY						I	R
				(A)	(B)	(C)	(D)	(E)	(F)		
1	1	1N1710-74021	WHEEL,WORM	1	1						
2	1	1N3400-74200	SHAFT,AUGER	1	1						
3	1	22550-050300	KEY 5X30	1	1						
4	1	24101-060044	BALL BEARING #6004	2	2						
5	1	24421-203508	SEAL, OIL	2	2						

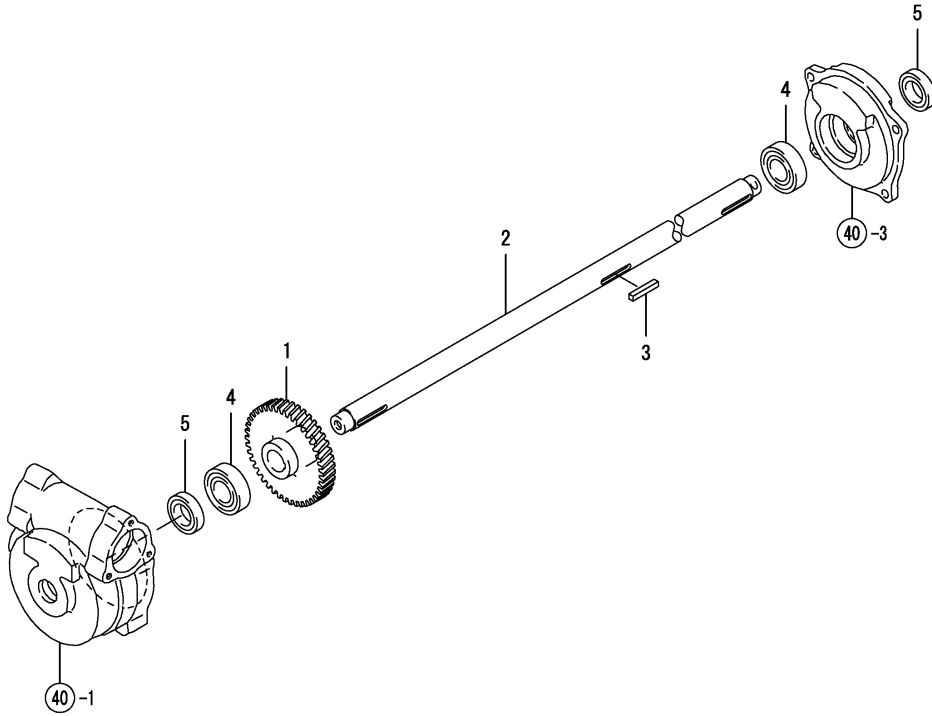


Fig.43. AUGER

(A)=YSR765C
(B)=YSR765C-S
(C)=

(D)=
(E)=
(F)=

REF.	LEV.	PARTS NO.	DESCRIPTION	QTY						I	R
				(A)	(B)	(C)	(D)	(E)	(F)		
1	1	1N3840-75000-1	AUGER, L	1	1						
2	1	1N3840-75100-1	AUGER, R	1	1						
3	1	1N3330-75200-1	FLANGE,AUGER	2	2						
4	1	22157-080000	WASHER 8	2	2						
5	1	22217-080000	WASHER, 8	2	2						
6	1	22550-050300	KEY 5X30	2	2						
7	1	26116-060202	BOLT M 6X 20	2	2						
8	1	26116-080162	BOLT 8X16	2	2						
9	1	26116-080252	BOLT M 8X 25 PLATED	2	2						
10	1	26347-060002	U-NUT M 6	2	2						
11	1	26717-080002	NUT 8	2	2						

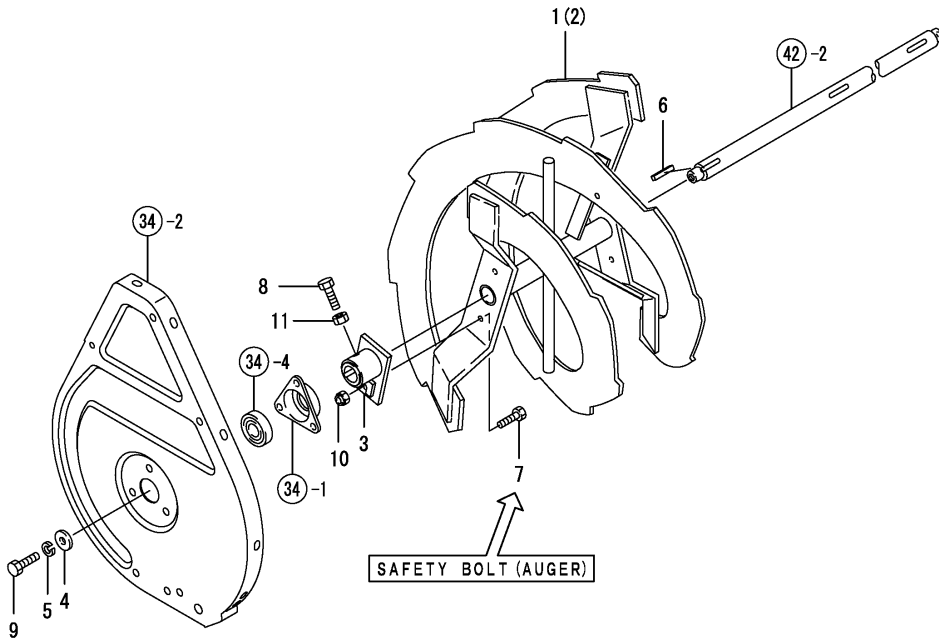


Fig.44. BLOWER

(A)=YSR765C
(B)=YSR765C-S
(C)=

(D)=
(E)=
(F)=

REF.	LEV.	PARTS NO.	DESCRIPTION	Q'TY						I	R
				(A)	(B)	(C)	(D)	(E)	(F)		
1	1	1N1711-76001-1	BLOWER COMPL.	1	1						
2	1	22550-050300	KEY 5X30	1	1						
3	1	26116-080202	BOLT M 8X 20 PLATED	1	1						
4	1	26717-080002	NUT 8	1	1						

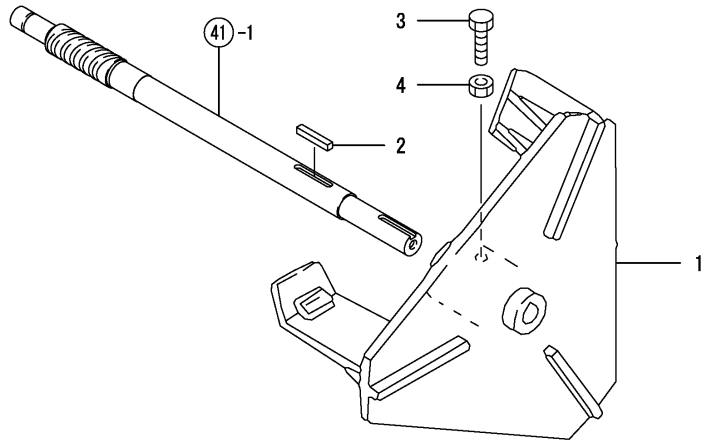


Fig.45. LABEL

(A)=YSR765C
(B)=YSR765C-S
(C)=

(D)=
(E)=
(F)=

REF.	LEV.	PARTS NO.	DESCRIPTION	QTY						I	R
				(A)	(B)	(C)	(D)	(E)	(F)		
1	1	1N1711-68190	MARK C YANMAR	2	2						
2	1	1N1711-68220	MARK,OIL CHECK	1	1						
3	1	1N3910-91050	LABEL, MODEL	1	1						
4	1	1N3910-91100	LABEL, TRAVEL	1	1						
5	1	1N3910-91110	LABEL, WORK	1	1						
6	1	1N3910-91300	LABEL, LIFT	1	1						
7	1	1N3360-91320	LABEL,SOUND LABEL	1	1						
8	1	1N3910-91090	LABEL, SWITCH		1						

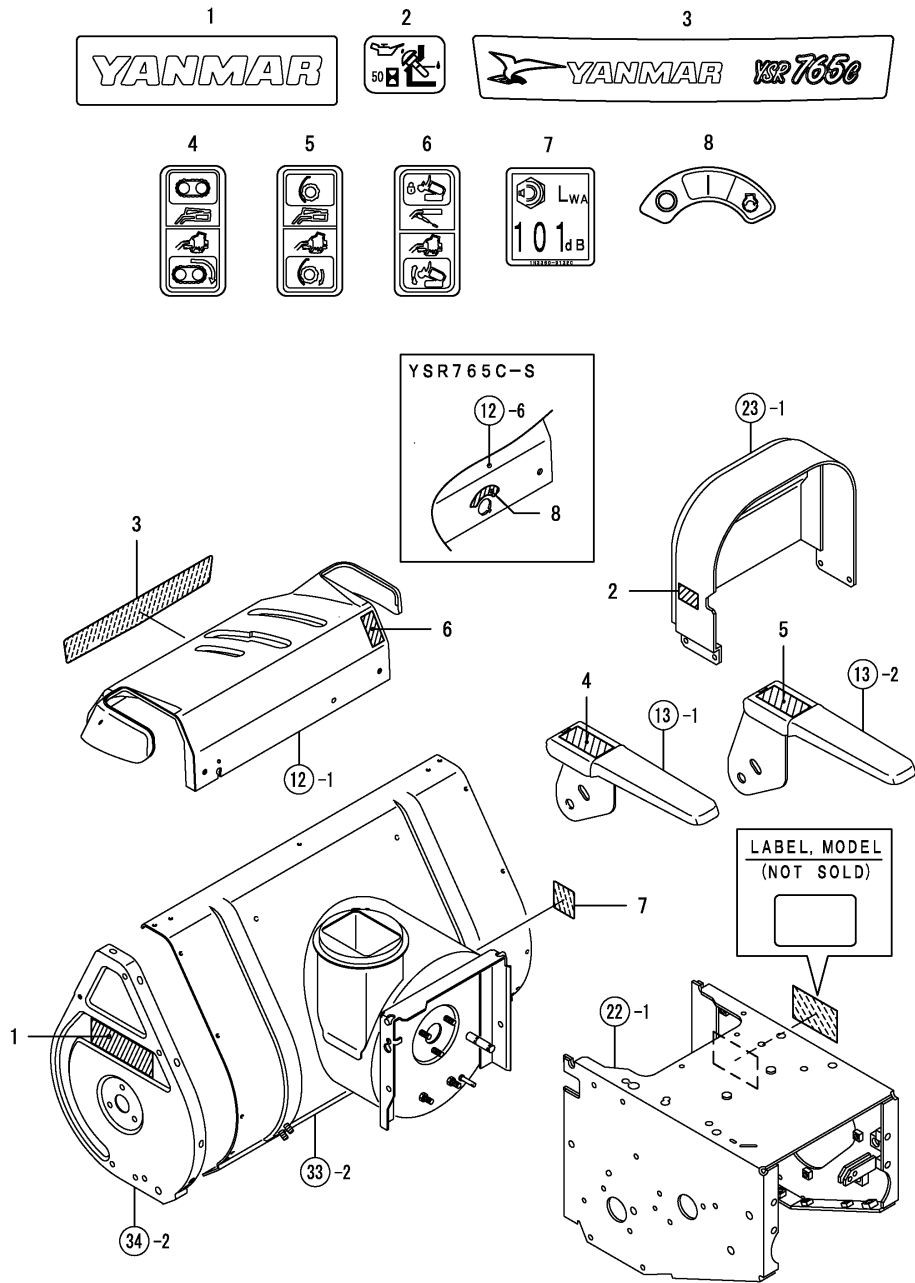
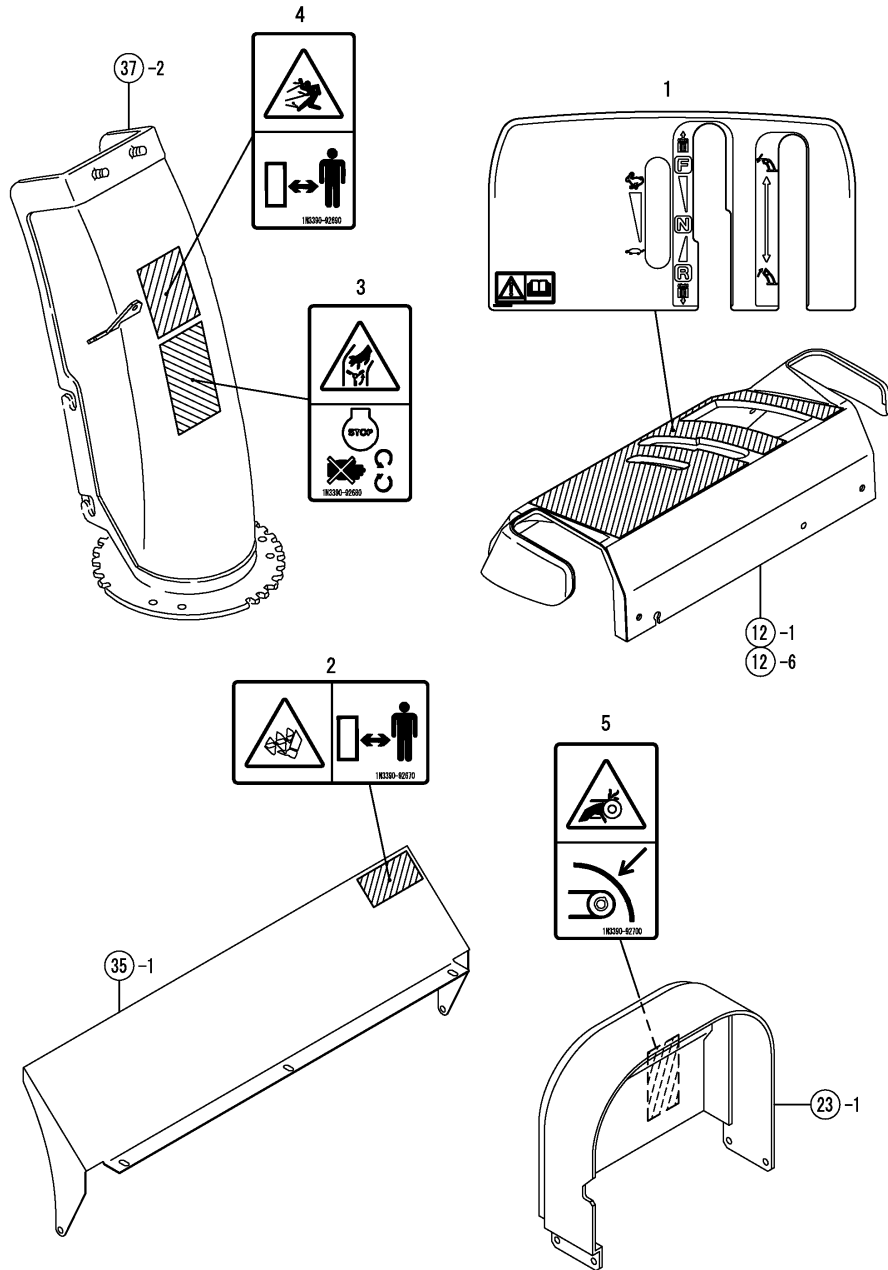


Fig.46. LABEL (SAFETY)



0CNP4-G92900 46. LABEL (SAFETY)

(A)=YSR765C
(B)=YSR765C-S
(C)=

(D)=
(E)=
(F)=

REF.	LEV.	PARTS NO.	DESCRIPTION	QTY						I	R
				(A)	(B)	(C)	(D)	(E)	(F)		
1	1	1N3910-91250	LABEL, OPERATION	1	1						
2	1	1N3390-92670	LABEL, DANGER	1	1						
3	1	1N3390-92680	LABEL, WARNING	1	1						
4	1	1N3390-92690	LABEL, WARNING	1	1						
5	1	1N3390-92700	LABEL, CAUTION	1	1						

Fig.47. TOOLS

(A)=YSR765C
(B)=YSR765C-S
(C)=

(D)=
(E)=
(F)=

REF.	LEV.	PARTS NO.	DESCRIPTION	Q'TY						I	R
				(A)	(B)	(C)	(D)	(E)	(F)		
1	1	160120-92700	WRENCH, BOX	1	1						
2	1	28160-100120	WRENCH 10X12	1	1						

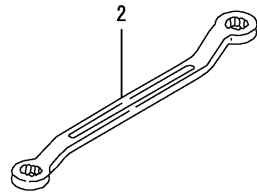
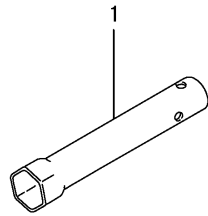
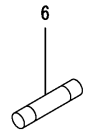
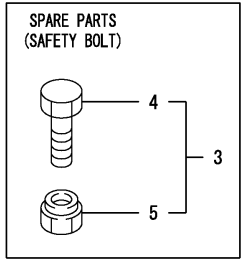
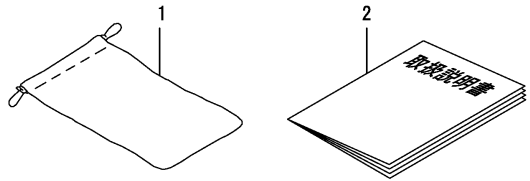


Fig.48. ACCESSORY

(A)=YSR765C
(B)=YSR765C-S
(C)=

(D)=
(E)=
(F)=

REF.	LEV.	PARTS NO.	DESCRIPTION	Q'TY						I	R
				(A)	(B)	(C)	(D)	(E)	(F)		
1	1	1F1150-92000	BAG,TOOL	1	1						
2	1	1N3910-96000	MANUAL, INSTRUCTION	1	1						
3	1	7N1711-01000	SHEAR BOLT SET 6X20	10	10						1
4	2	26116-060202	BOLT M 6X 20	10	10						1
5	2	26347-060002	U-NUT M 6	10	10						1
6	1	1E8665-83180	FUSE, 20A		1						



Remarks
(1) IT IS A SPARE PART FOR SAFETY BOLT, GROUP NO.43, REF. NO.7.

Part Number Index

All parts are stipulated in the order of part numbers.

(Depending on the area in which the part is used.)

This index will display the location of the part according to each part number.

PARTS No. INDEX

PARTS No.	Fig.	Ref.No.
160120-92700	47	1
160797-77270	31	4
195385-35870	3	6
	16	7
	19	5
198273-01230	3	1
1A1102-57100	19	7
1A1470-40900	31	1
1C7100-48250	16	8
	19	6
1E4760-43090	18	8
1E6102-84960	29	2
	30	3
1E6102-84970	29	3
	30	4
1E6740-64200	18	9
1E7030-51302-1	4	9
1E8665-83180	30	2
	48	6
1E9170-64750	16	9
1F1150-23140	9	7
1F1150-92000	48	1
1F5300-43300	20	11
1J3999-02010	1	8
1J3999-02160	37	1
1J3999-07000	14	1
	19	1
1N1570-21200	8	3
1N1570-21300	8	5
1N1570-21600	9	1
1N1570-32950	18	7
1N1570-38200	34	1
1N1570-38210	33	1
1N1570-74050	40	5
1N1570-74110-1	40	6
1N1570-74120	40	7
1N1570-74130-1	40	8
1N1570-74140	40	9
1N1710-32600	1	9
1N1710-51350	28	7
1N1710-71062-2	33	3
1N1710-71072	33	4
1N1710-74002-1	40	1
1N1710-74012-1	40	3
1N1710-74021	42	1
1N1710-82140	11	3
1N1711-35520	20	10
1N1711-51850	32	3
1N1711-51860	32	4
1N1711-68190	45	1

PARTS No.	Fig.	Ref.No.
1N1711-68220	45	2
1N1711-73170	38	1
1N1711-73240	37	4
1N1711-73280	37	5
1N1711-74000	40	2
1N1711-74010	40	4
1N1711-76001-1	44	1
1N1713-00080-1	1	2
1N1713-00170	1	5
1N1723-38500-1	26	5
1N1960-73502	37	6
1N3021-00250	1	6
1N3021-11240-1	4	4
1N3021-31580	14	8
	17	1
1N3021-34390	20	2
1N3021-34710	20	8
1N3021-34720	20	9
1N3021-38600-1	26	6
1N3021-52300	31	3
1N3021-73201	37	3
1N3260-73250	20	12
1N3300-23050	9	3
1N3300-23120	9	6
1N3300-25100	10	2
	26	1
1N3300-32500-1	18	4
1N3300-51010	28	1
1N3300-51480	32	2
1N3300-71320	36	2
1N3300-71330	36	3
1N3300-71401-1	33	5
1N3310-23200	9	9
1N3310-71301-1	36	1
1N3320-71290	4	11
1N3330-21300	8	6
1N3330-21400	8	9
1N3330-34651	20	6
1N3330-34700	20	7
1N3330-75200-1	43	3
1N3360-38000	25	1
1N3360-91320	45	7
1N3370-11050	4	2
1N3370-11271	4	6
1N3370-38500-1	27	1
1N3390-23000	9	2
1N3390-23300	9	10
1N3390-23400	9	11
1N3390-34350	20	1
1N3390-34500	20	3

PARTS No.	Fig.	Ref.No.
1N3390-34530	20	4
1N3390-34600	20	5
1N3390-35000	21	1
1N3390-35060	21	2
1N3390-35100-1	21	3
1N3390-35150	21	4
1N3390-35250	21	5
1N3390-35300-1	21	6
1N3390-35400	21	7
1N3390-35450	21	8
1N3390-35600	21	10
1N3390-35650-1	21	11
1N3390-35700-1	21	12
1N3390-37100	24	1
1N3390-38200-1	26	2
1N3390-73300	39	1
1N3390-73350	39	2
1N3390-92670	46	2
1N3390-92680	46	3
1N3390-92690	46	4
1N3390-92700	46	5
1N3400-21300	8	7
1N3400-23180	9	8
1N3400-25000-1	10	1
1N3400-32350-1	18	3
1N3400-35501	21	9
1N3400-38400	26	3
1N3400-38450	26	4
1N3400-51450	32	1
1N3400-74200	42	2
1N3440-21300	14	2
1N3840-12050	6	1
1N3840-21000	8	1
1N3840-21100	8	2
1N3840-21200	8	4
1N3840-21410	8	10
1N3840-21450	8	11
1N3840-23100	9	4
1N3840-23400	9	12
1N3840-32000	16	1
1N3840-32300	18	2
1N3840-32301	18	2 -1
1N3840-32600	18	5
1N3840-32650	18	6
1N3840-74100	41	1
1N3840-75000-1	43	1
1N3840-75100-1	43	2
1N3850-00150	1	4
1N3850-02100	3	2
1N3850-02200	3	4

PARTS No.	Fig.	Ref.No.
1N3850-11000	4	1
1N3850-11100	4	3
1N3850-11250	4	5
1N3850-11270	4	7
1N3850-11300	4	8
1N3850-12150	5	3
1N3850-12200	7	3
1N3850-21300	8	8
1N3850-23110	9	5
1N3850-30000	11	1
1N3850-30001	11	1 -1
1N3850-30002	11	1 -2
1N3850-30100	11	2
1N3850-30150	11	8
1N3850-30350	12	2
1N3850-30400	12	3
1N3850-31000	13	1
1N3850-31100	13	2
1N3850-31200	14	3
1N3850-31300	14	4
1N3850-31400	14	5
1N3850-31450	14	6
1N3850-31460	14	7
1N3850-31650	14	10
1N3850-31750	15	1
1N3850-31751	15	1 -1
1N3850-31800	15	2
1N3850-32050	16	2
1N3850-32100	16	3
1N3850-32150	16	4
	19	2
1N3850-32160	16	5
1N3850-32200	16	6
1N3850-32401	17	2
1N3850-34000	19	3
1N3850-34200	19	4
1N3850-36200	22	3
1N3850-51100	28	2
1N3850-51150	28	3
1N3850-51200	28	4
1N3850-51250	28	5
1N3850-51300	28	6
1N3870-00050	1	1
1N3870-00100	1	3
1N3870-01000	2	1
1N3870-12010	7	1
1N3870-12050	7	2
1N3870-12100	5	2
1N3870-51350	28	8
1N3870-71210	34	2

MODEL : YSR765C
PC NO : 0CNP4-G92900

PARTS No. INDEX

PARTS No.	Fig.	Ref.No.
1N3870-71260	34	3
1N3910-02150	3	3
1N3910-02250	3	5
1N3910-12000	5	1
1N3910-31600	14	9
1N3910-31700	14	11
1N3910-31750	14	12
1N3910-32210	18	1
1N3910-36000	22	1
1N3910-36100	22	2
1N3910-37100	23	2
1N3910-51400	29	1
1N3910-51500	30	1
1N3910-71000	33	2
1N3910-73200	38	2
1N3910-73250	38	3
1N3910-91050	45	3
1N3910-91090	45	8
1N3910-91100	45	4
1N3910-91110	45	5
1N3910-91250	46	1
1N3910-91300	45	6
1N3910-96000	48	2
1S6000-61220	8	12
1S9050-01430	1	7
7N1711-01000	48	3
7N3910-30300	12	1
7N3910-30310	12	6
7N3910-37000	23	1
7N3910-71500	35	1
7N3910-73000	37	2

PARTS No.	Fig.	Ref.No.
-----------	------	---------

PARTS No.	Fig.	Ref.No.
-----------	------	---------

PARTS No.	Fig.	Ref.No.
-----------	------	---------



YANMAR CO.,LTD.